



Thomas Parts Manual



105 Skid Steer Loader S/N LC001001 Onward

Publication Number **052125SP**

105 PARTS

A. WARRANTY

B. SERIAL NUMBER TAGS

1. MAINFRAME

Fuel System	1.1
Rear Door	1.2
Quick-Tach	1.3
Lift Arms and Pivot Pins	1.4
ROPS	1.5
Boom Supports and Dash Panel	1.6
Shields	1.7
Seat and Seat Belt	1.8
Insulation	1.9
Decals and Paint	1.10
Wheels and Tires	1.11

2. CONTROLS

Control Levers, Foot (RH Side)	2.1(A)
Control Levers, Foot (LH Side)	2.1(B)
Control Levers, Hand (RH Side)	2.2(A)
Control Levers, Hand (LH Side)	2.2(B)
Foot Pedals	2.3
Throttle (up to S/N LC001250)	2.4(A)
Throttle (S/N LC001251 onward)	2.4(B)
Restraint Bar	2.5

3. FINAL DRIVE TRANSMISSION

Transmission Housing	3.1
Axle Assembly	3.2

4. HYDRAULIC SYSTEM

Oil Reservoir	4.1
Hydraulic Oil Filter	4.2
Boom Lift Circuit (up to S/N LC001170)	4.3(A)
Boom Lift Circuit (S/N LC001171 onward - Standard)	4.3(B)
Boom Lift Circuit (S/N LC001171 onward - w/ Self Level Valve)	4.3(C)
Lift Cylinder	4.4
Bucket Tilt Circuit (up to S/N LC001170)	4.5(A)
Bucket Tilt Circuit (S/N LC001171 onward - Standard)	4.5(B)
Bucket Tilt Circuit (S/N LC001171 onward - w/ Self Level Valve)	4.5(C)
Tilt Cylinder	4.6
Auxiliary Circuit (up to S/N LC001170)	4.7(A)
Auxiliary Circuit (S/N LC001171 onward)	4.7(B)
Control Valve (up to S/N LC001180)	4.8(A)
Control Valve - Manual Auxiliary (S/N LC001181 onward)	4.8(B)
Control Valve - Electric Auxiliary (S/N LC001181 onward)	4.8(C)

5. HYDROSTATIC DRIVE SYSTEM

Hydrostatic Drive Circuit	5.1
Hydrostatic Pump	5.2
Torque Motor	5.3
Brake Valve	5.4

6. ELECTRICAL SYSTEM

Electrical Wiring (Engine Side)	6.1
Electrical Wiring (ROPS Side)	6.2

7. ENGINE EQUIPMENT

Air Cleaner	7.1
Fan / Radiator / Oil Cooler	7.2
Exhaust System	7.3
Engine Mounts	7.4
Engine Accessories	7.5

8. OPTIONAL EQUIPMENT

Cab Liner	8.1
Cab Enclosure (<i>Only available as a factory installed option</i>)	8.2
Cab Heater	8.3
Side Windows	8.4
Cab Door	8.5
Block Heater	8.6
Horn	8.7
Backup Alarm	8.8
Seat Belts	8.9
Self Level Valve (<i>See sections 4.3C & 4.5C for more information</i>)	8.10
Hand Controls	8.11
Wheel Equipment	8.12
Purifier Kit	8.13
Hydraulic Oil Heater	8.14
Interior Light and Exterior Trouble	8.15
Precleaner	8.16
Lifting Lug (ROPS)	8.17
Light Kit (<i>Only available as an option on CE loaders</i>)	8.18
Driving Lamp Kit (<i>Mandatory to install this option with the Light Kit option</i>)	8.19
Stop Switch	8.20
External Rear View Mirror	8.21
Internal Rear View Mirror	8.22
Flat Face Coupling Kit	8.23
Adaptor Kit	8.24

NUMERICAL INDEX

LIABILITY WARRANTY

THE WARRANTY IS THE ONLY OBLIGATION OF THOMAS OR A THOMAS DEALER TO THE PURCHASER OR ANYONE ELSE CONCERNING A PRODUCT, ITS SERVICE, ITS USE OR PERFORMANCE OR ITS LOSS OF USE OR FAILURE TO PERFORM. NEITHER THOMAS NOR A THOMAS DEALER HAVE MADE AND NEITHER WILL MAKE ANY OTHER EXPRESSED OR IMPLIED REPRESENTATION, WARRANTY OR AGREEMENT CONCERNING A PRODUCT. NEITHER THOMAS NOR A THOMAS DEALER HAVE MADE OR WILL MAKE ANY REPRESENTATION, WARRANTY OR AGREEMENT CONCERNING A PRODUCTS MERCHANTABILITY OR OTHER QUALITY, ITS SUITABILITY FOR PURCHASER'S PURPOSE (EVEN IF A PURCHASER HAS INFORMED THOMAS OR A THOMAS DEALER OF THAT PURPOSE), ITS DURABILITY, PERFORMANCE OR OTHER CONDITION.

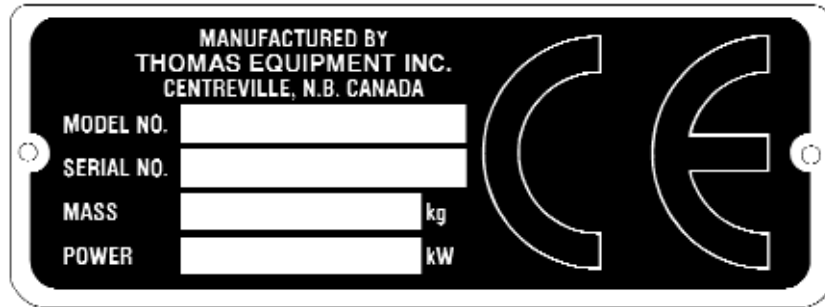
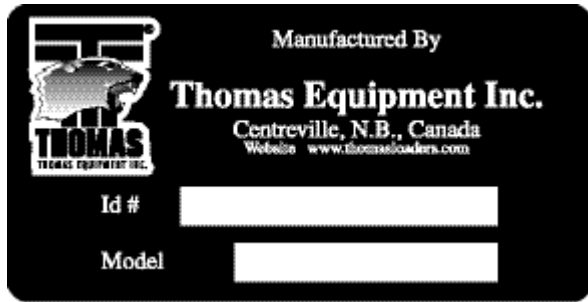
EVEN IF THOMAS OR A THOMAS DEALER WAS ADVISED OF THE POSSIBILITY OF SUCH LOSS, NEITHER THOMAS NOR A THOMAS DEALER WILL BE LIABLE TO PURCHASER OR ANYONE ELSE FOR ANY INDIRECT, INCIDENTAL CONSEQUENTIAL, PUNITIVE, ECONOMIC, COMMERCIAL, OR SPECIAL LOSS WHICH IS IN ANY WAY ASSOCIATED WITH A PRODUCT. THIS INCLUDES ANY LOSS OF USE OR NON-PERFORMANCE OF A PRODUCT, ANY REPLACEMENT RENTAL OR ACQUISITION COST, ANY LOSS OF REVENUE OR PROFITS, ANY FAILURE TO REALIZE EXPECTED SAVINGS, ANY INTEREST COSTS, ANY IMPAIRMENT OF OTHER GOODS, ANY INCONVENIENCE OR ANY LIABILITY OF PURCHASER TO ANY OTHER PERSON.

PURCHASER MAY NOT ATTEMPT TO ENLARGE ITS RIGHTS UNDER THE WARRANTY BY MAKING A CLAIM FOR INDEMNITY, FOR BREACH OF CONTRACT, FOR BREACH OF COLLATERAL WARRANTY, FOR A TORT (INCLUDING NEGLIGENCE, MISREPRESENTATION OR STRICT LIABILITY) OR BY CLAIMING ANY OTHER CAUSE OF ACTION.

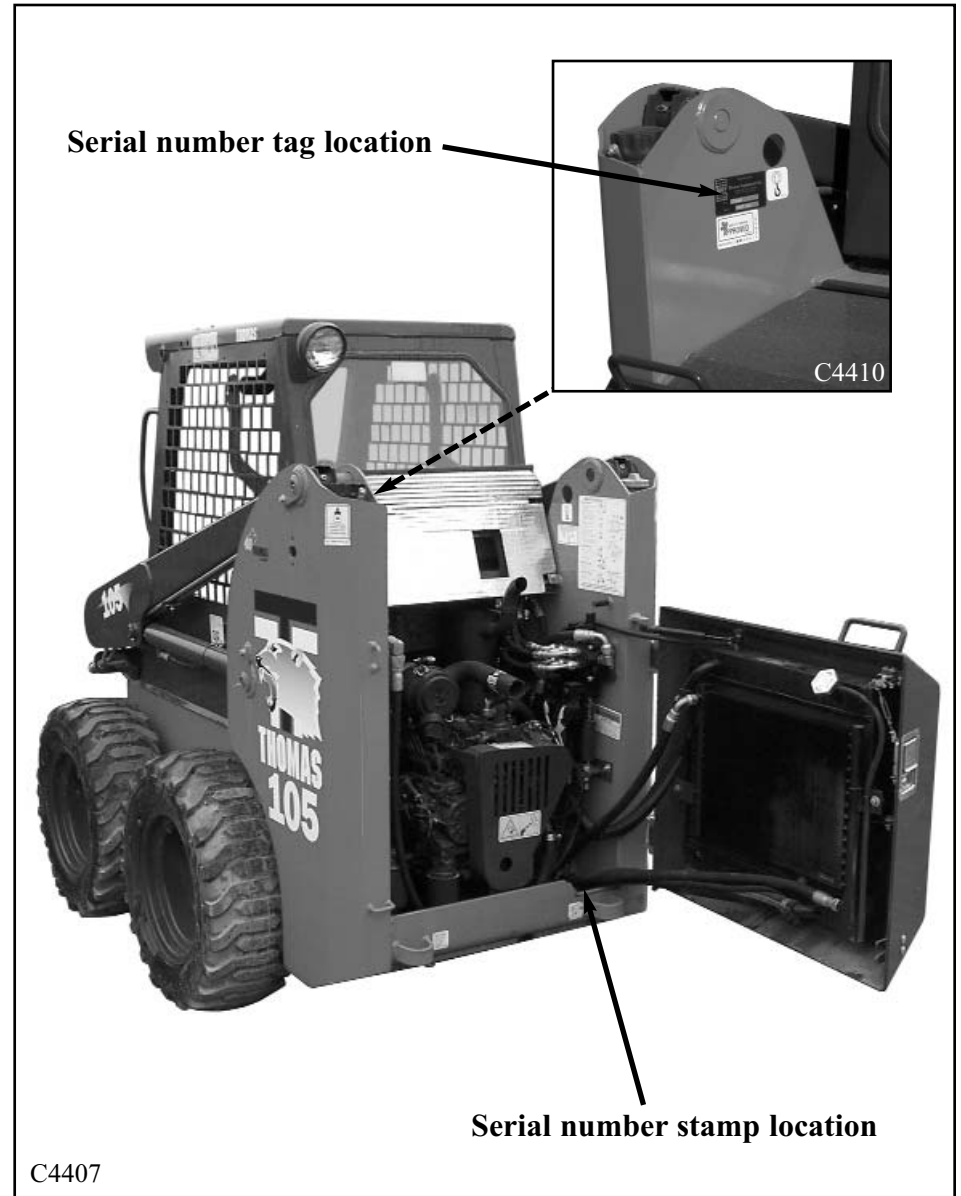
THE WARRANTY IS A CONDITION OF SALE OF THE PRODUCT TO PURCHASER AND WILL THEREFORE APPLY EVEN IF PURCHASER ALLEGES THAT THERE IS A TOTAL FAILURE OF THE PRODUCT.

*N.B. Read and practice your **Thomas** operating and servicing instructions. Failure to do this may void your warranty.*

Publication Number 052125SP

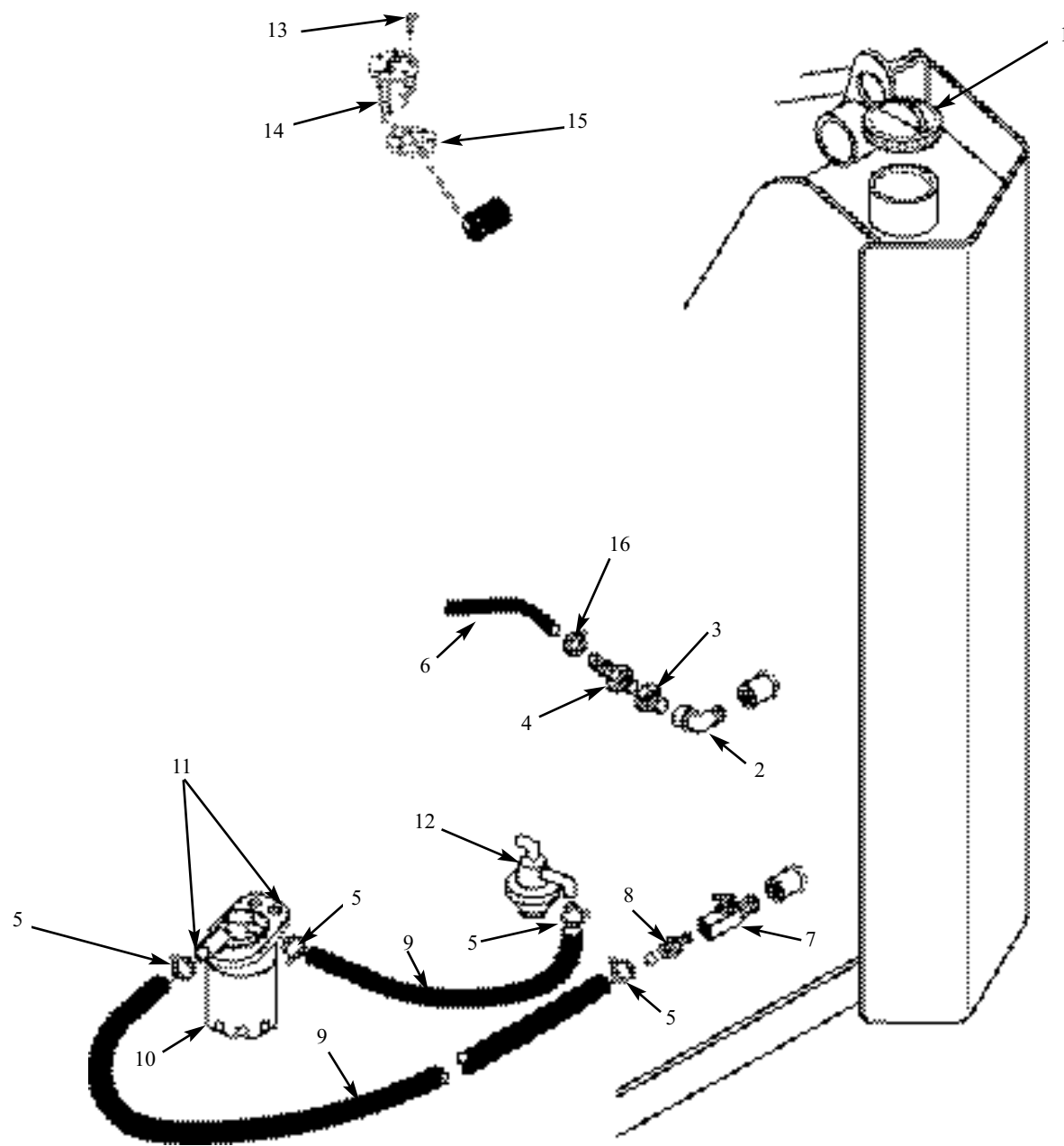


It is important when ordering replacement parts or making a service inquiry to provide both the model number and serial number of your Thomas loader. The serial number plate is located at the rear of the machine on the left hand side. In the event that the serial number plate is missing, the model number and serial number are both stamped into the main frame inside the rear door, right hand side, next to the fuel line shut off petcock. (fig. C4407)

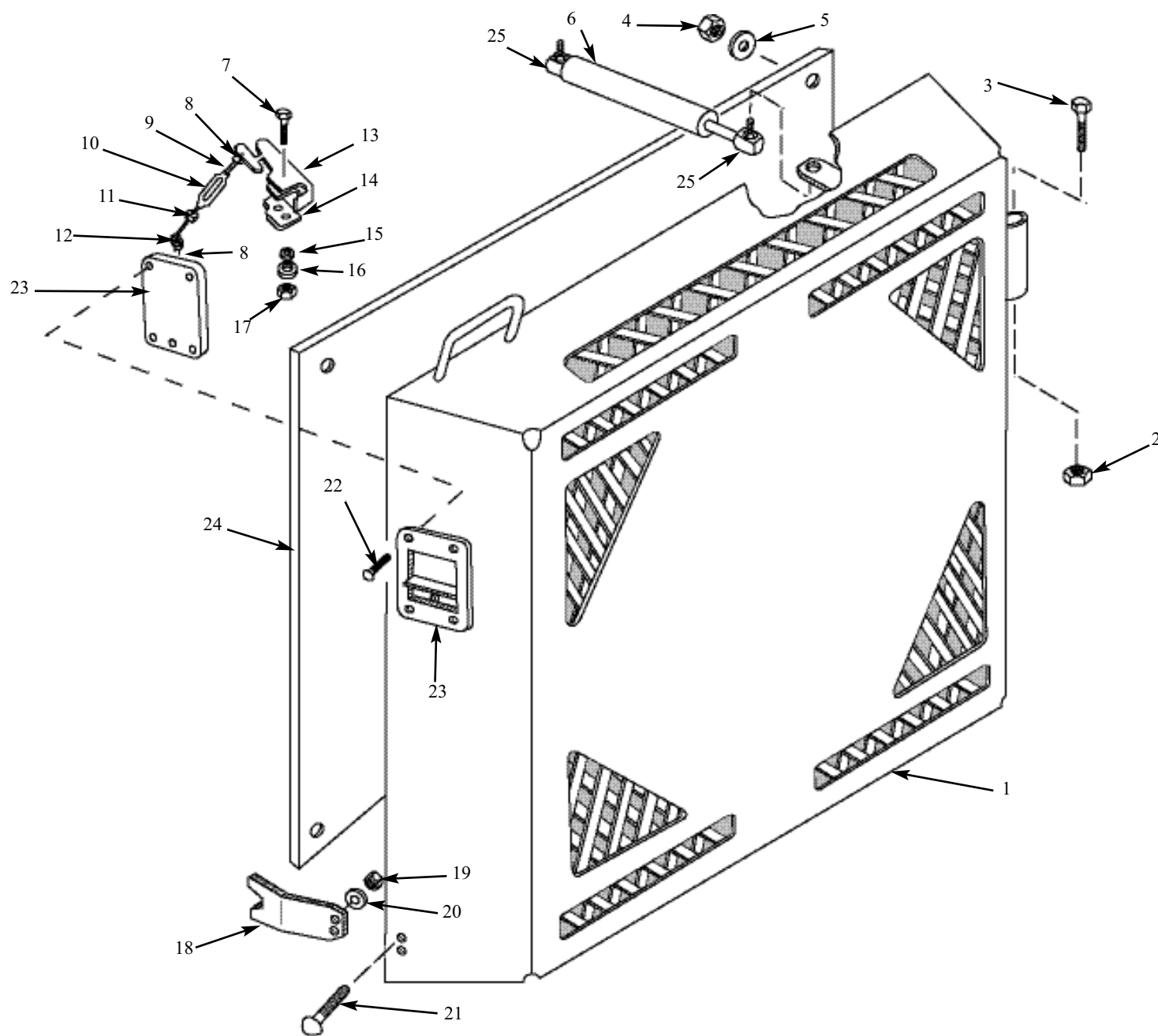


1. MAINFRAME

Fuel System 1.1
Rear Door 1.2
Quick-Tach..... 1.3
Lift Arms and Pivot Pins 1.4
ROPS 1.5
Boom Supports and Dash Panel 1.6
Shields 1.7
Seat and Seat Belt1.8
Insulation 1.9
Decals and Paint 1.10
Wheels and Tires 1.11

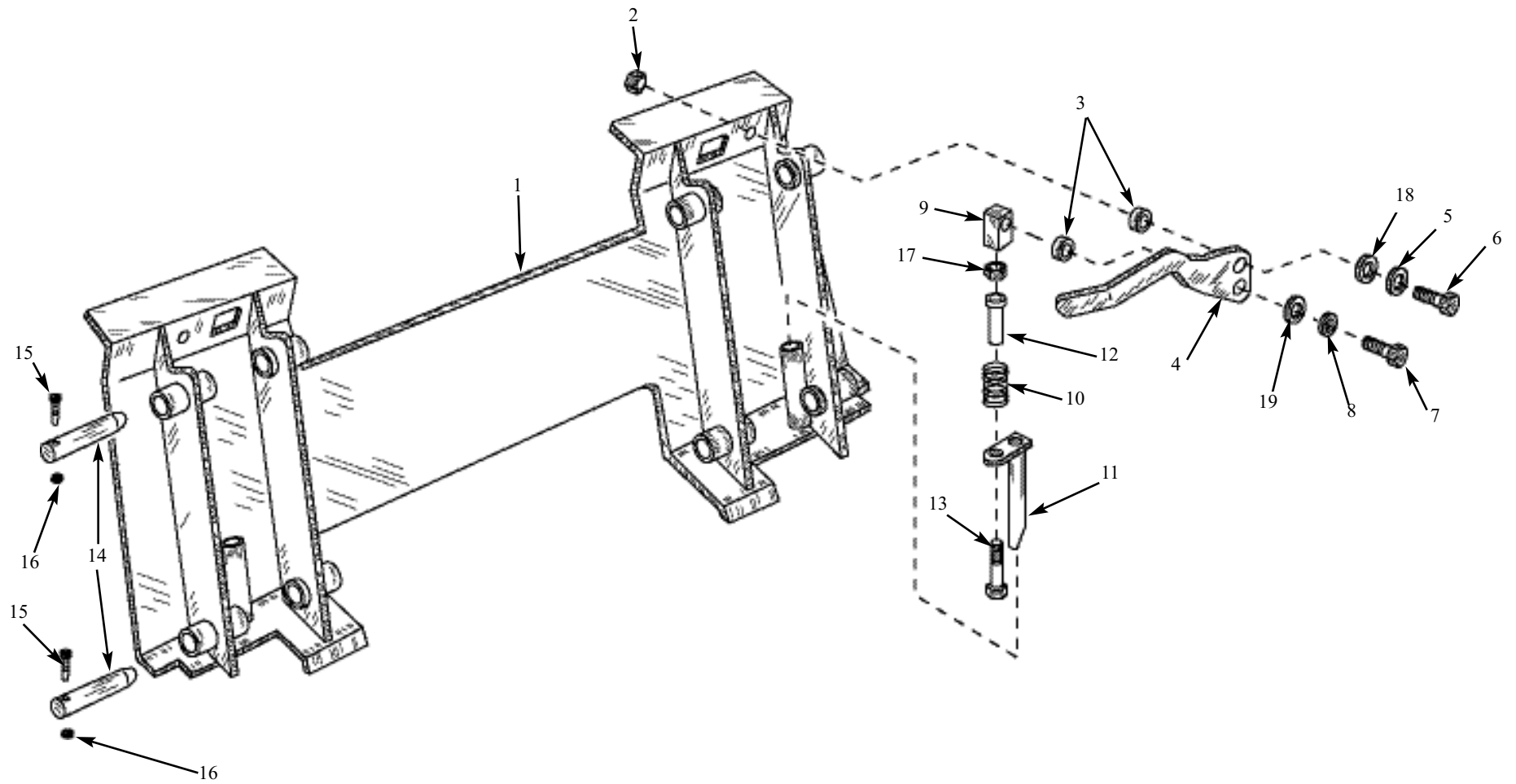


ITEM	PART No.	QTY.	DESCRIPTION
1.	040921SP	1	Cap, Fuel, Diesel
	040922SP	1	Cap, Locking Fuel (Optional)
	049669SP	1	Key, Locking Fuel Cap (for optional cap)
2.	042574SP	1	Elbow, 90 deg.
3.	042572SP	1	Bushing, Reduction
4.	018318SP	1	Hose End
5.	019949SP	6	Clamp, Fuel Line
6.	000407SP	1	Hose, Fuel
7.	014797SP	1	Cock, Fuel Shutoff
8.	023861SP	1	Hose End
9.	000261SP	1	Hose, Fuel
10.	042561SP	1	Filter, Fuel
11.	042560SP	1	Assy, Fuel Filter
12.	043349SP	1	Pump, Fuel, V1305
13.	023194SP	5	Screw, 10/32
14.	042929SP	1	Fuel Sender
15.	024264SP	1	Gasket
16.	026737SP	1	Clamp, Wire 3/16" Hose

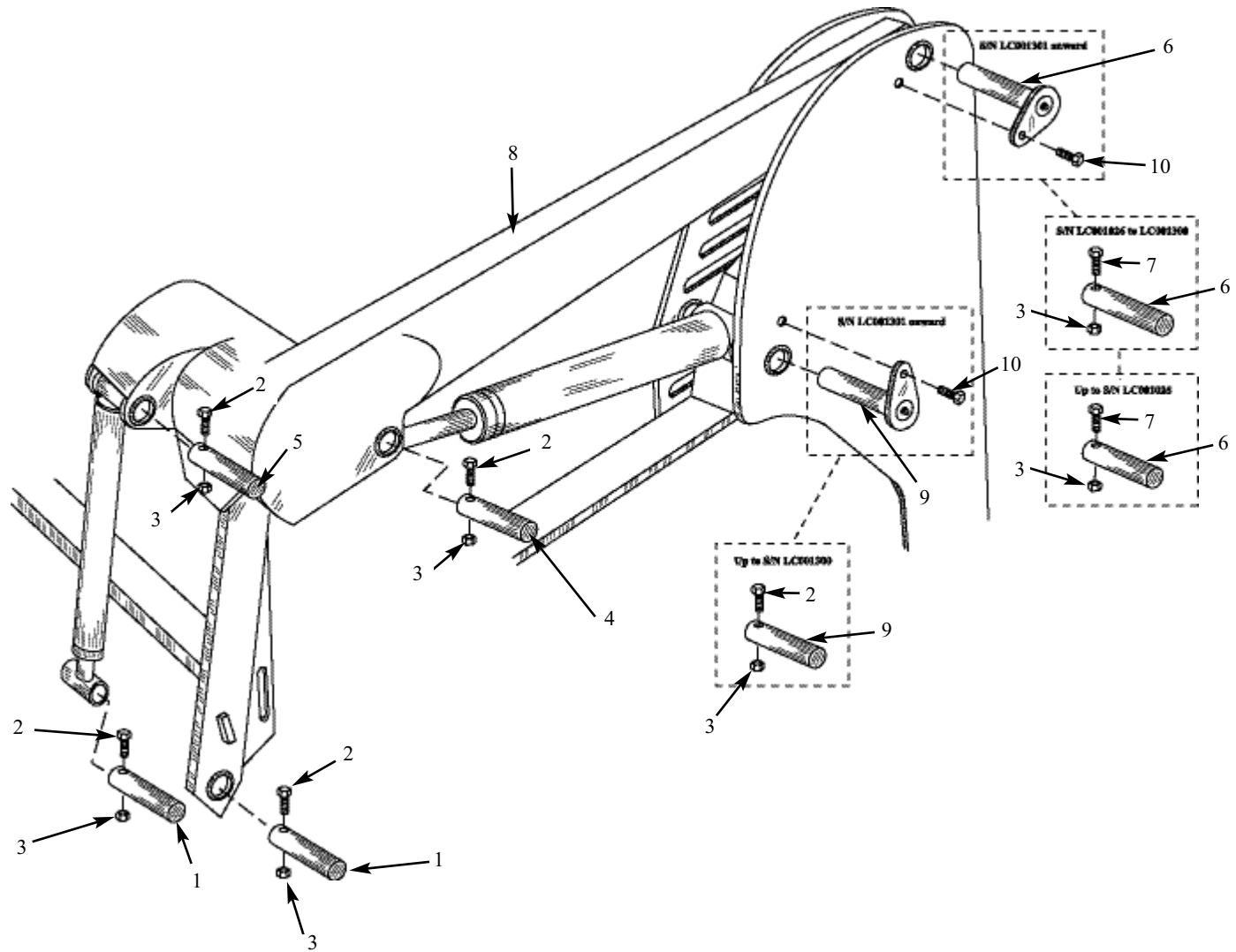


ITEM	PART No.	QTY.	DESCRIPTION
1.	961983SP	1	Rear Door (up to S/N LC001601)
	963899SP	1	Rear Door (S/N LC001602 onward)
2.	008613SP	2	Nut, Nylok
3.	001248SP	2	Bolt, Hex
4.	016771SP	4	Nut, Nylok
5.	001651SP	4	Washer, Flat
6.	043290SP	1	Gas Spring (CE Only)
7.	043260SP	2	Bolt, Hex
8.	043088SP	2	Clip, Rod Plastic
9.	043236SP	1	Rod
10.	043087SP	1	Turnbuckle
11.	023238SP	1	Nut, Nylok
12.	043235SP	1	Rod
13.	043085SP	2	Latch, Rotary
14.	043267SP	1	Latch, Reinforcement
15.	016561SP	2	Bearing Mount
16.	001650SP	2	Washer, Lock
17.	006645SP	2	Nut, Nylok
18.	042661SP	1	Plate, Door Guide
19.	007465SP	2	Nut, Nylok
20.	001643SP	2	Washer, Flat
21.	014313SP	2	Bolt
22.	043274SP	4	Rivet, POP
23.	043086SP	1	Latch, Paddle Cable Style
*	043329SP	1	Key, Door Latch
24.	961984SP	1	Rad, Baffle Assy
25.	043005SP	2	Ball Stud, (CE Only)

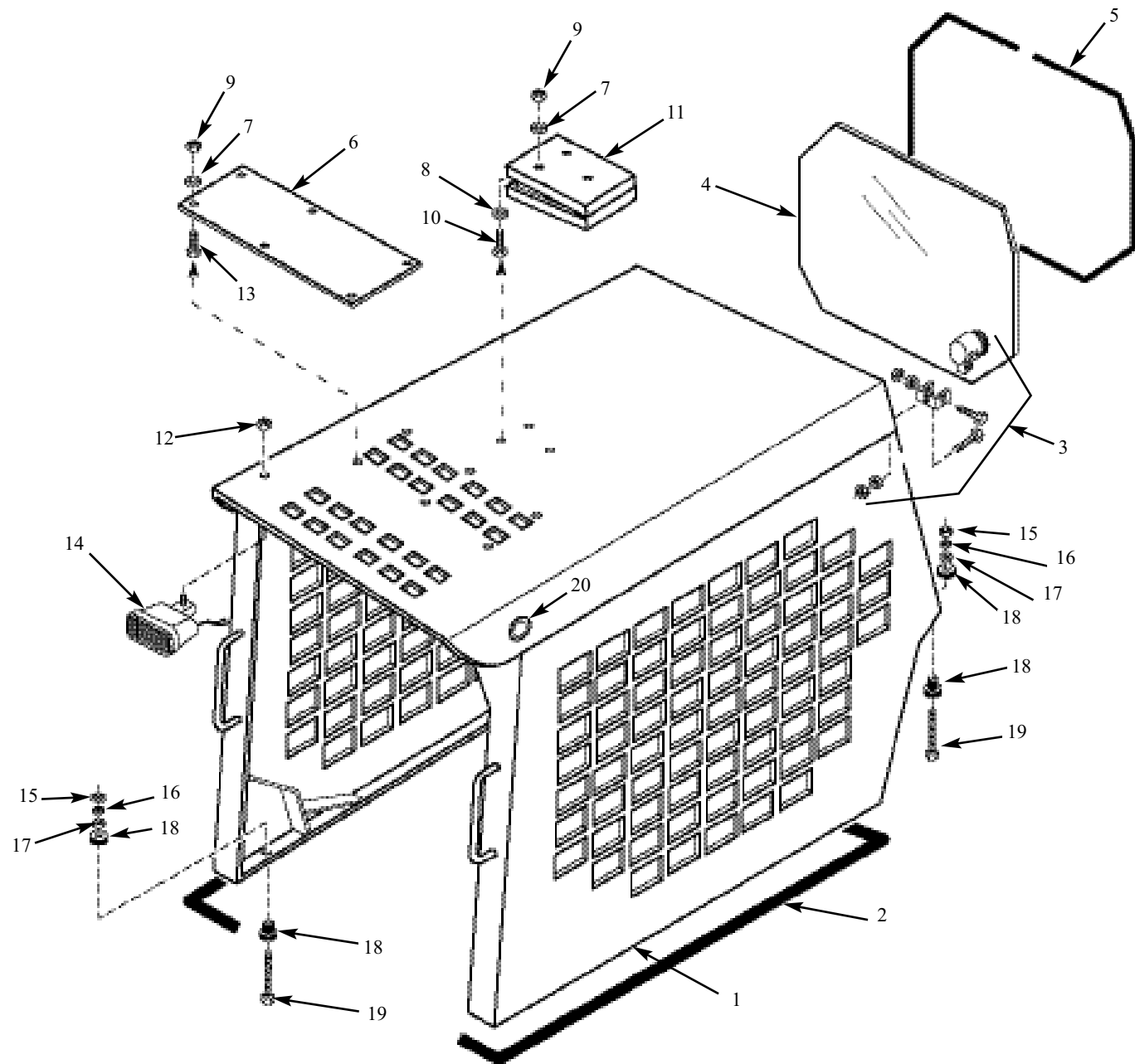
* Item not shown.



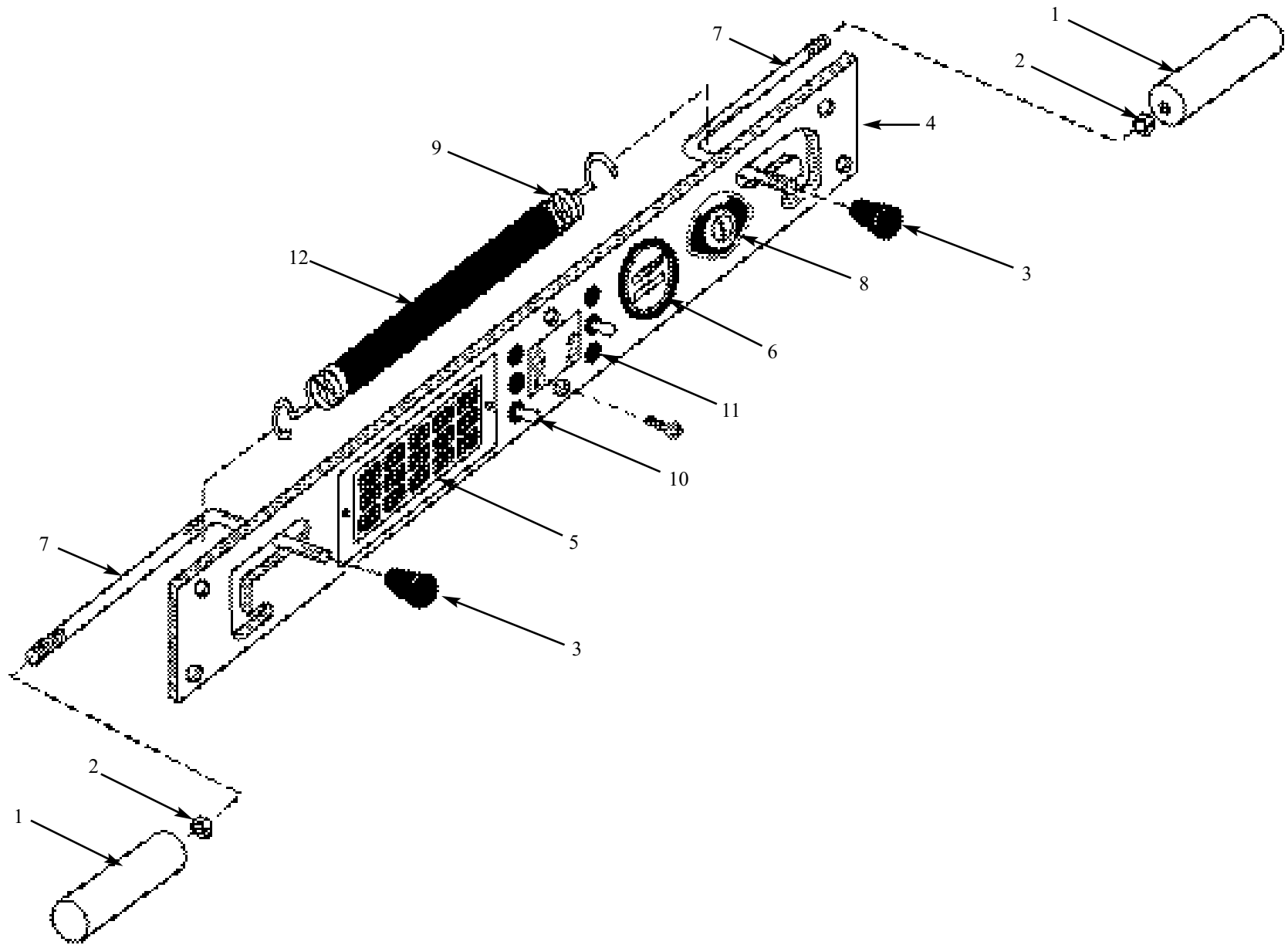
ITEM	PART No.	QTY.	DESCRIPTION
1.	961971SP	1	Quick - Tach Complete (Without pins)
2.	020860SP	4	Nut, Hex
3.	022653SP	4	Bushing, Stab. Bar
4.	042863SP	1	RH, Handle
4.	042864SP	1	LH, Handle
5.	041392SP	1	Washer, Belleville Spring
6.	003321SP	1	Bolt, Hex
7.	001680SP	1	Bolt
8.	023385SP	2	Washer, Flat
9.	040614SP	2	Bar Sq., Linkage Block
10.	049281SP	2	Spring
11.	961973SP	1	LH Pin, Lock Assy
11.	961974SP	1	RH Pin, Lock Assy
12.	042350SP	2	Bushing
13.	002011SP	2	Bolt, Hex
14.	042860SP	4	Pin
15.	001677SP	4	Bolt, Hex
16.	016771SP	4	Nut, Nylok
17.	020860SP	2	Nut
18.	041392SP	2	Washer, Spring
19.	020861SP	1	Lock Washer
*	002010SP	2	Grease Fitting



ITEM	PART No.	QTY.	DESCRIPTION
1.	042860SP	4	Pin, 1"x 6.3125"
2.	001677SP	10	Bolt, Hex
3.	016771SP	12	Nut, Nylok
4.	042783SP	2	Pin, 1" x 3.4375"
5.	042784SP	2	Pin, 1" x 4.5"
6.	042860SP	2	Pin, 1" x 6.3125" (up to S/N LC001025)
	043280SP	2	Pin, 1.25" x 7.625" (S/N LC001026 to LC001300)
	963140SP	2	Pin, 1.25" x 6.125" (S/N LC001301 onward)
7.	001676SP	2	Bolt
8.	961961SP	1	Liftarms (up to S/N LC001025)
	962147SP	1	Liftarms (S/N LC001026 onward)
9.	042860SP	2	Pin, 1" x 6.3125" (up to S/N LC001300)
	963141SP	2	Pin, 1" x 6.125" (S/N LC001301 onward)
10.	044995SP	4	Bolt, Hex Flange

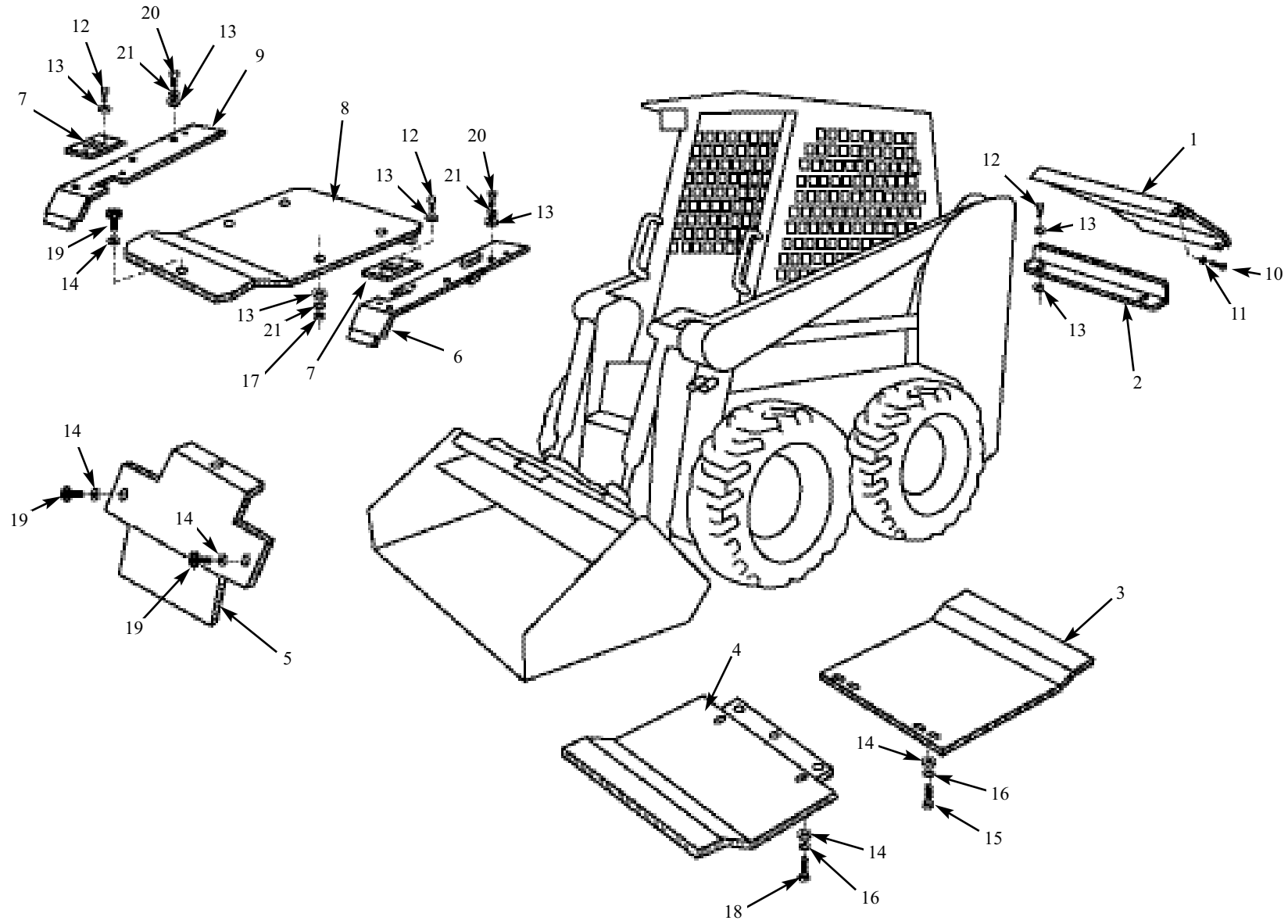


ITEM	PART No.	QTY.	DESCRIPTION
1.	963631SP	1	ROPS Frame, Welded Assembly
2.	015931SP	A/R	Weather Strip, Bottom of Cab
3.	029971SP	1	Back-Up Light
4.	039021SP	1	Rear Window with Decal
5.	015750SP	A/R	Weather Strip, Window Seal
6.	038184SP	1	Plexiglass, ROPS Top
7.	018455SP	9	Washer
8.	001650SP	3	Washer, Flat
9.	006645SP	9	Nut, Nylock
10.	002663SP	3	Bolt, Hex
11.	040737SP	1	Holder, Manual
12.	047470SP	1	Nut, Flange
13.	001618SP	6	Bolt, Carriage 1/4 x 3/4
14.	047468SP	1	Front Worklight
15.	008613SP	4	Nut, Nylok
16.	023385SP	2	Washer, Flat
17.	020235SP	4	Washer, Snubbing
18.	038560SP	4	Isolator
19.	015646SP	4	Bolt, Hex
20.	024129SP	2	Bushing

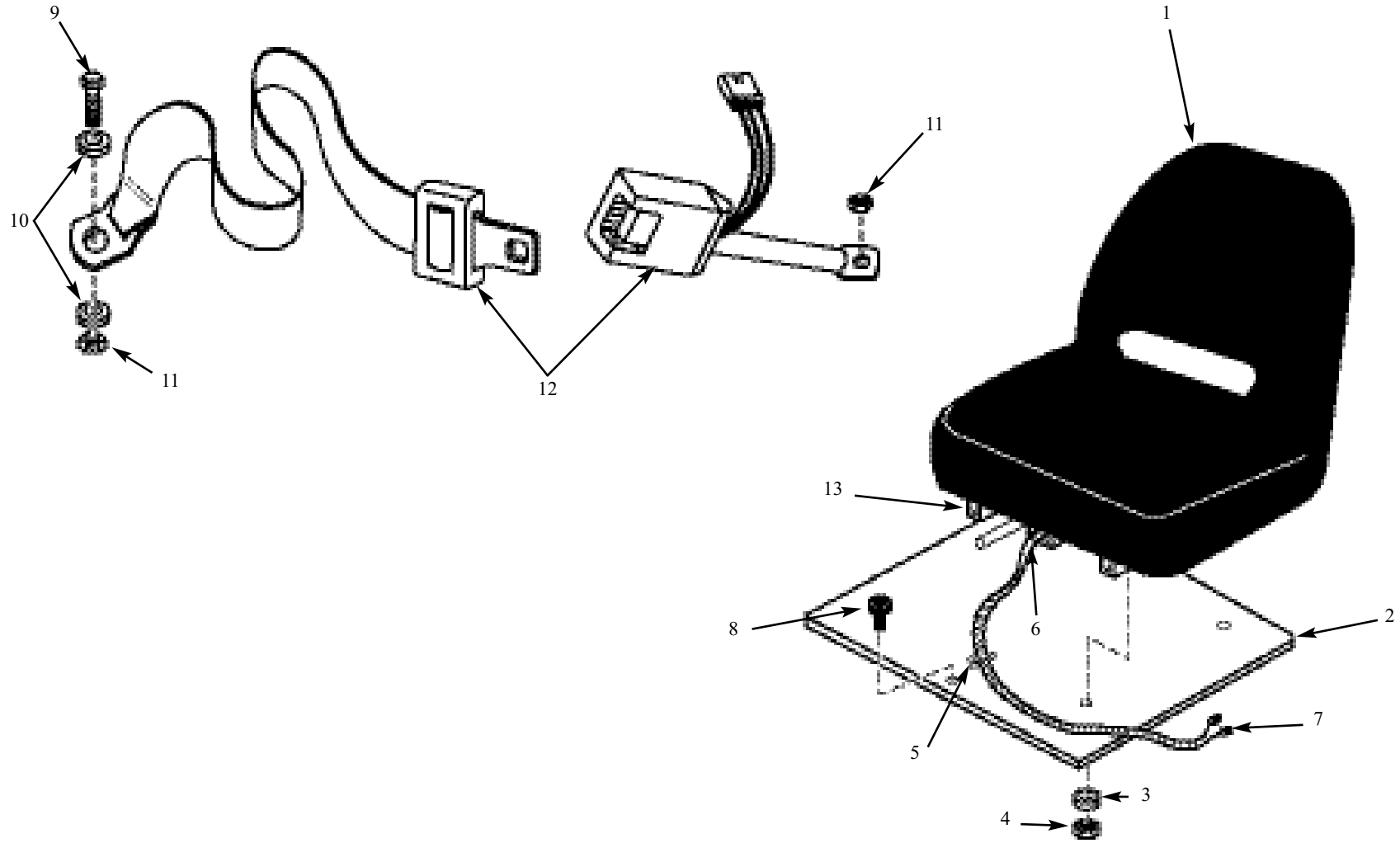


ITEM	PART No.	QTY.	DESCRIPTION
1.	042956SP	2	Pin, Support
2.	001350SP	2	Nut, Hex
3.	039546SP	2	Knob, Tapered Red (S/N LC001523 onward)
	025175SP	2	Knob (up to S/N LC001522)
4.	964612SP	1	Instrument Panel (S/N LC001690 onward)
	042948SP	1	Instrument Panel (up to S/N LC001689)
5.	049068SP	1	Panel, Indicator Lights (S/N LC001690 onward)
	042920SP	1	Panel, Indicator Lights (up to S/N LC001689)
6.	046671SP	1	Hourmeter/Fuel Gauge (S/N LC001523 onward)
	038761SP	1	Hourmeter (up to S/N LC001522)
	038577SP	1	Fuel Gauge (up to S/N LC001522)
7.	040187SP	2	Lock, Pin Handle
8.	019605SP	1	Switch, Ignition
9.	043312SP	1	Spring
10.	039123SP	1	Switch, Toggle
11.	039126SP	2	Plug, Buttonhole
12.	000392SP	1.25 ft	Loom, Corrugated
*	041427SP	2	Chain, Key w / Thomas

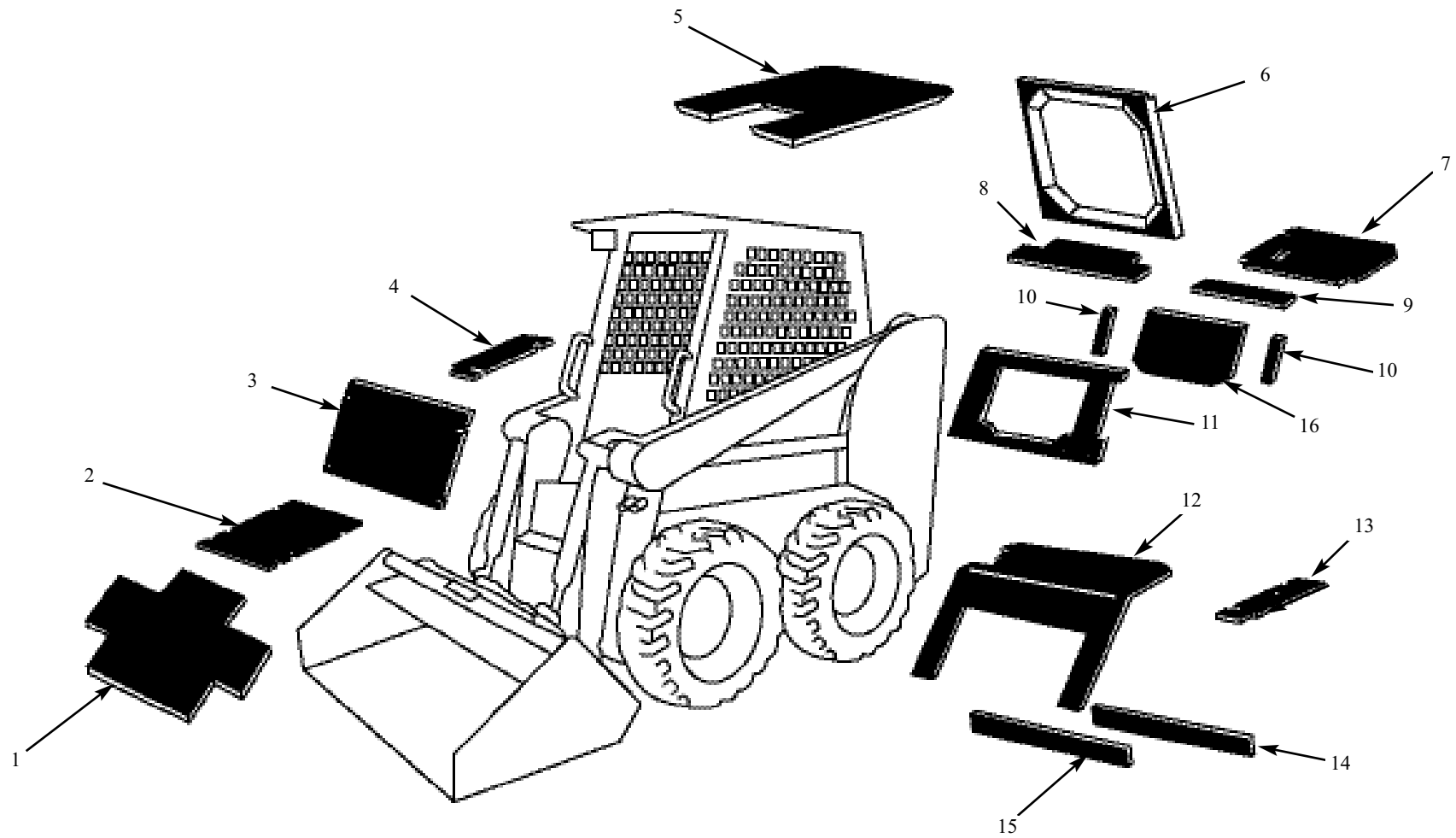
* Item not shown.



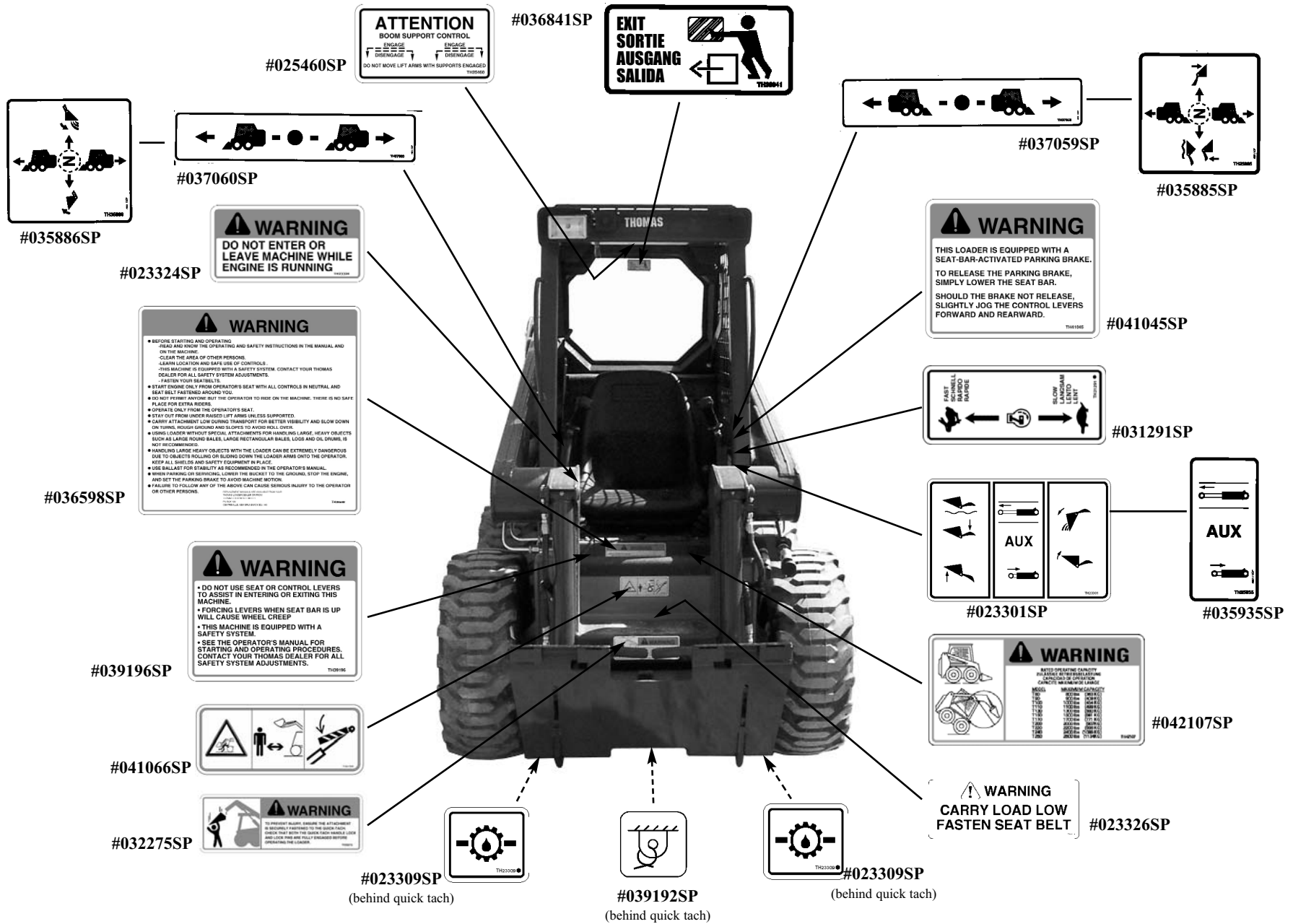
ITEM	PART No.	QTY.	DESCRIPTION
1.	962087SP	1	Engine Cover (up to S/N LC001300)
	963148SP	1	Engine Cover (S/N LC001301 onward)
2.	042724SP	1	Rear Filler Shield
3.	043162SP	1	Belly Pan (up to S/N LC001140)
	043872SP	1	Belly Pan (S/N LC001141 onward)
4.	962086SP	1	Front Belly Pan (up to S/N LC001140)
	962476SP	1	Front Belly Pan (S/N LC001141 onward)
5.	042643SP	1	Front Shield
6.	961906SP	1	LH Lever Cover
7.	043159SP	2	Lever Boot Cover
8.	961905SP	1	Seat Plate
9.	961907SP	1	RH Lever Cover
10.	007723SP	2	Bolt, Hex 1/4 x 1 1/4"
11.	002279SP	2	Washer, Lock 1/4"
12.	021907SP	4	Screw, Self Tapping
13.	001651SP	2	Washer, Flat 5/16"
14.	001643SP	7	Washer, Flat 3/8"
15.	001672SP	2	Bolt, Hex 3/8 x 1 1/2"
16.	001642SP	4	Washer, Lock 3/8"
17.	001191SP	4	Nut, Hex 5/16
18.	001387SP	2	Bolt, Hex 3/8 x 1 1/4"
19.	042070SP	3	Knob, Black w/Stud
20.	006081SP	6	Bolt, Hex 5/16 x 3/4"
21.	001870SP	10	Washer, Lock 5/16"



ITEM	PART No.	QTY.	DESCRIPTION
1.	038600SP	1	Seat Assy
2.	961905SP	1	Seat Plate Assy.
3.	001870SP	4	Washer
4.	001191SP	4	Nut
5.	040581SP	1	Clip
6.	038516SP	1	Seat Switch
7.	039904SP	1	Harness, Seat Switch
8.	042070SP	1	Knob, Black with Stud
9.	001193SP	1	Bolt
10.	001643SP	2	Washer, Flat
11.	007465SP	2	Nut, Nylok
12.	961372SP	1	2" Seat Belt
13.	042931SP	1	Seat Adjustment Rail (Pair)



ITEM	PART No.	QTY.	DESCRIPTION
1.	043037SP	1	Insulation, Front Shield
2.	043044SP	1	Insulation, Seat Plate
3.	044787SP	1	Insulation, Access Shield
4.	043046SP	1	Insulation, RH Side Shield
5.	046645SP	1	Insulation, ROPS Headliner
6.	046644SP	1	Insulation, ROPS Rear Window
7.	043036SP	1	Insulation, Engine Cover
8.	043043SP	1	Insulation, ROPS Rear Support
9.	043042SP	1	Insulation, ROPS Rear Cover Top
10.	043040SP	2	Insulation, ROPS Door Side
11.	043041SP	1	Insulation, ROPS Rear Cover Back
12.	043013SP	1	Insulation, ROPS Rear
13.	043045SP	1	Insulation, LH Side Shield
14.	043038SP	1	Insulation, Rear Filler
15.	043017SP	1	Insulation, ROPS Rear Bottom
16.	043039SP	1	Insulation, ROPS Door Center



#023309SP
(behind quick tach)

#039192SP
(behind quick tach)

#023309SP
(behind quick tach)

#036598SP

#023324SP

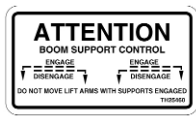
#041045SP

#031291SP

#035935SP

#042107SP

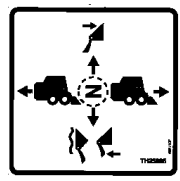
#023326SP



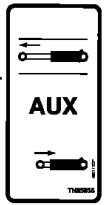
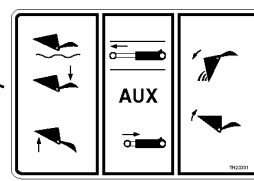
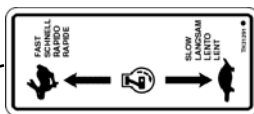
#036841SP



#037059SP



#035885SP



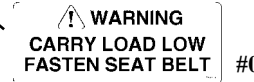
#039196SP

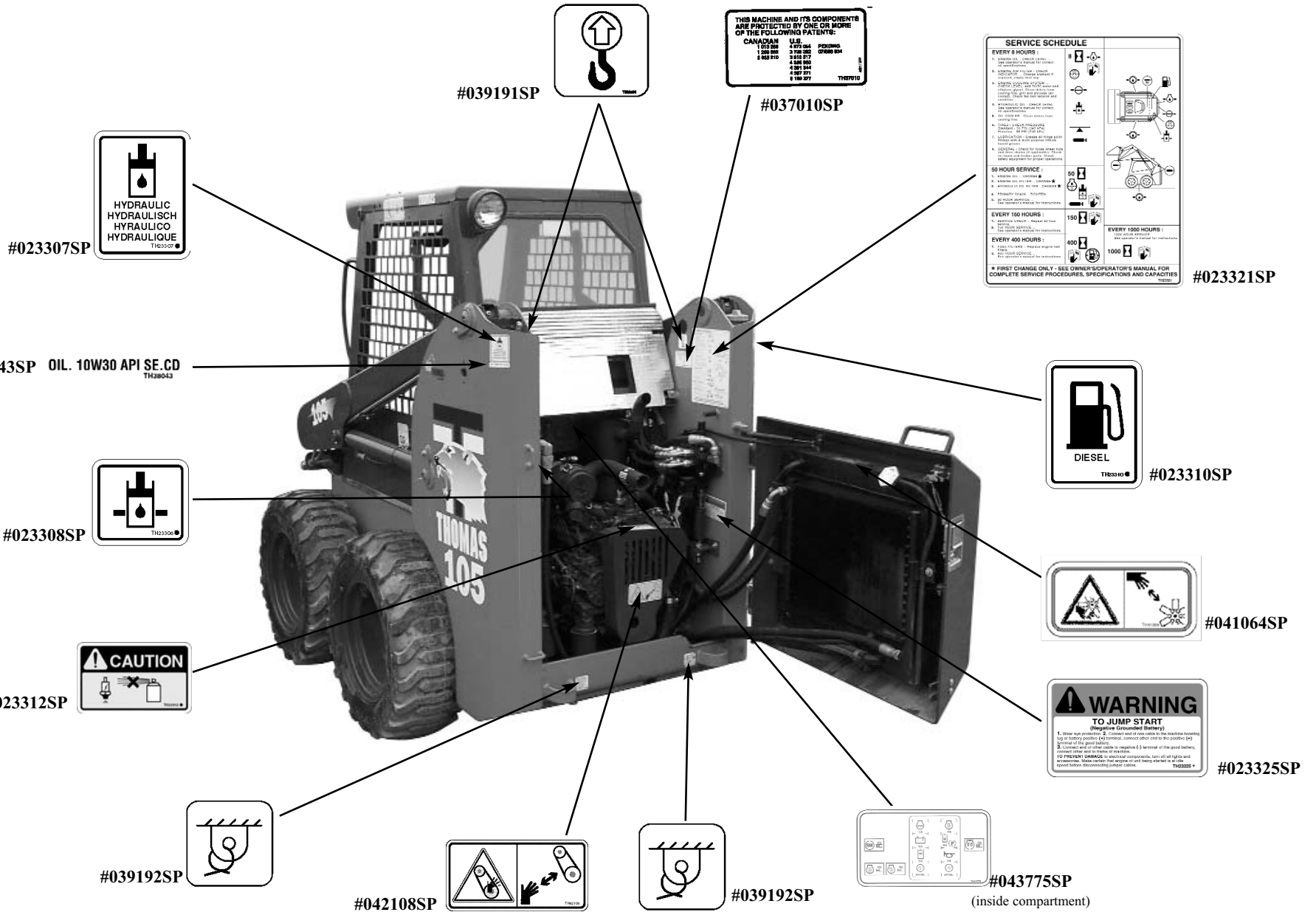


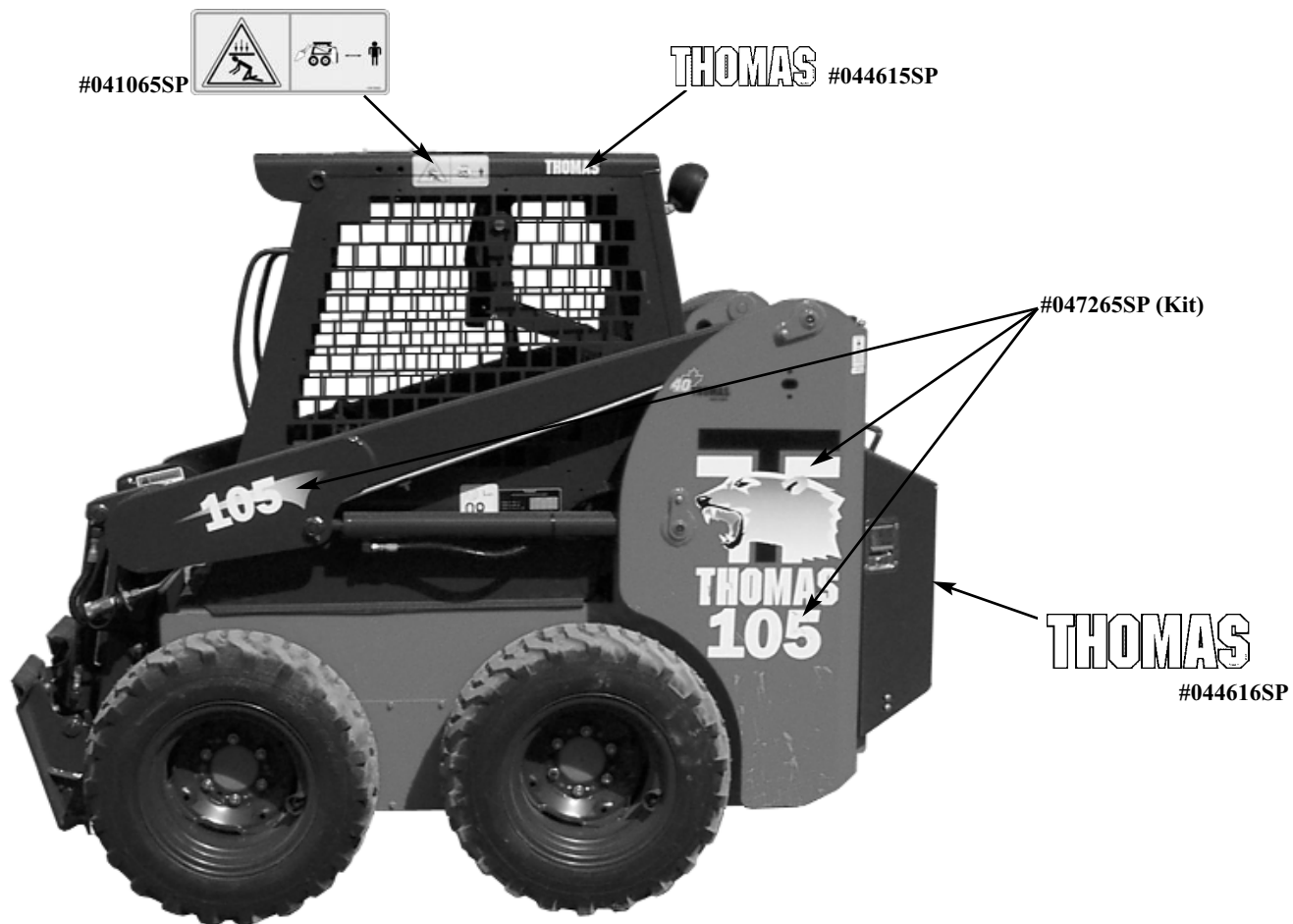
#041066SP



#032275SP







PART	QTY	DESCRIPTION
049273SP	1	Common Decal Kit
047265SP	1	Decal Kit - 105 (Designation Decals)
049190SP	1	Decal Kit, Portuguese
049191SP	1	Decal Kit, French
049192SP	1	Decal Kit, German
049193SP	1	Decal Kit, Italian
049194SP	1	Decal Kit, Spanish
049195SP	1	Decal Kit, Danish
049196SP	1	Decal Kit, Dutch
047856SP	1	Decal, LWA 98, Noise Output (CE loaders only)
040970SP		Paint, Aerosol Orange, 241g (up to S/N LC001822)
049790SP		Paint, Aerosol Orange, 241g (S/N LC001823 onward)
041123SP		Grey paint, aerosol, sold each
041778SP		Paint, Orange (1 Litre), Ready-to-use (up to S/N LC001822)
049791SP		Paint, Orange (1 Litre), Ready-to-use (S/N LC001823 onward)
041738SP		Grey paint, pre-mixed, sold per litre

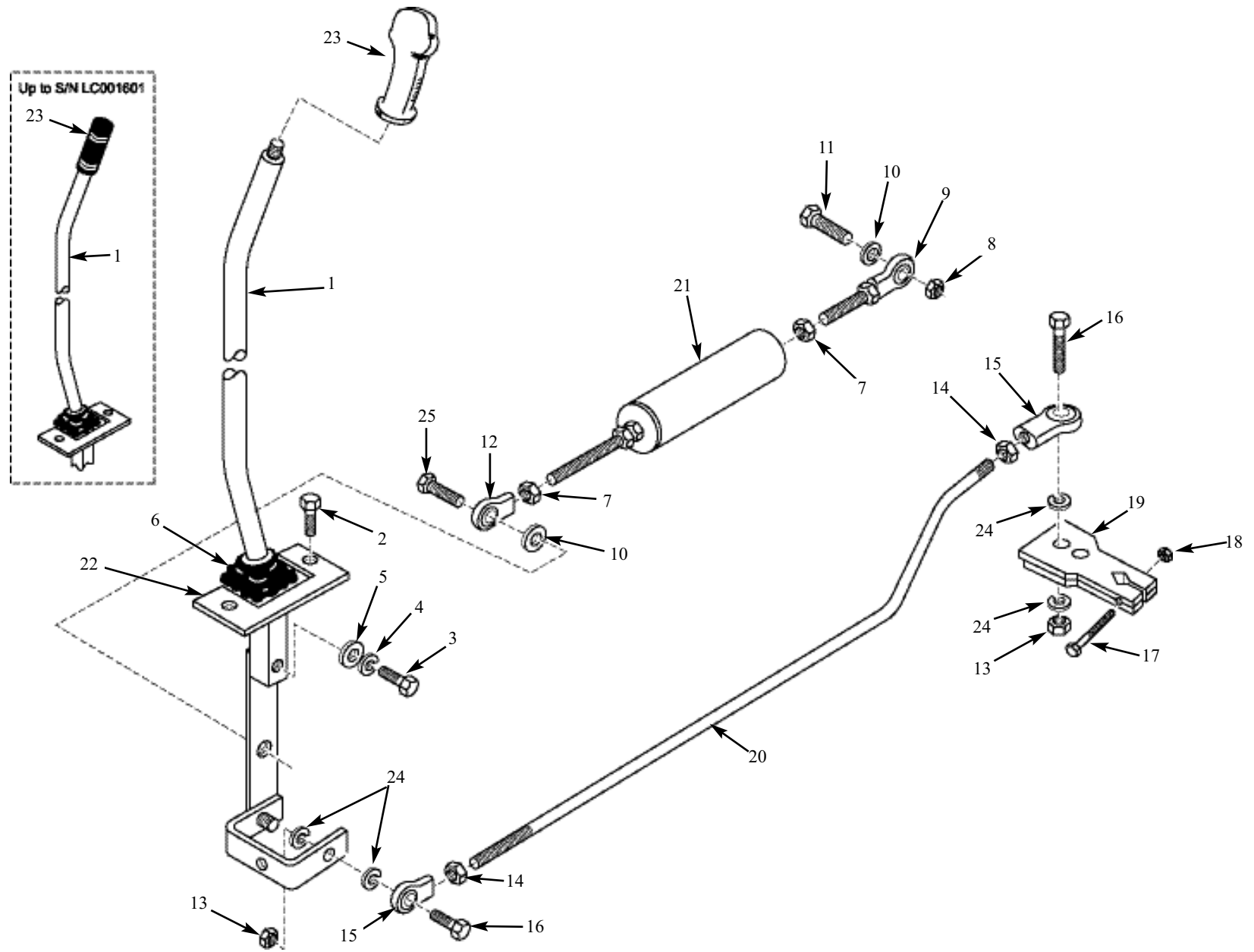
PART No.	QTY.	DESCRIPTION
962022SP	1	Kit, Wheel & Tire 10.50 x 15.0
042886SP	2	Tire & Wheel Assy, 10.5 x 15, 6 Bolt, RH
042889SP	1	Wheel, 8.00 x 15, 6 Bolt, Negative 3.00" Offset
042883SP	1	Tire, 27 x 10.5 x 15, 6 Ply Tubeless Track Loader
007019SP	1	Stem, Valve, Tubeless
042887SP	2	Tire & Wheel Assy, 10.5 x 15, 6 Bolt, LH
042889SP	1	Wheel, 8.00 x 15, 6 Bolt, Negative 3.00" Offset
042883SP	1	Tire, 27 x 10.5 x 15, 6 Ply Tubeless Track Loader
007019SP	1	Stem, Valve, Tubeless
005832SP	24	Nut, Wheel 9/16"

2. CONTROLS

Control Levers, Foot (RH Side)	2.1(A)
Control Levers, Foot (LH Side)	2.1(B)
Control Levers, Hand (RH Side)	2.2(A)
Control Levers, Hand (LH Side)	2.2(B)
Foot Pedals	2.3
Throttle (up to S/N LC001250)	2.4(A)
Throttle (S/N LC001251 onward)	2.4(B)
Restraint Bar	2.5

CONTROL LEVERS, FOOT (RH Side)

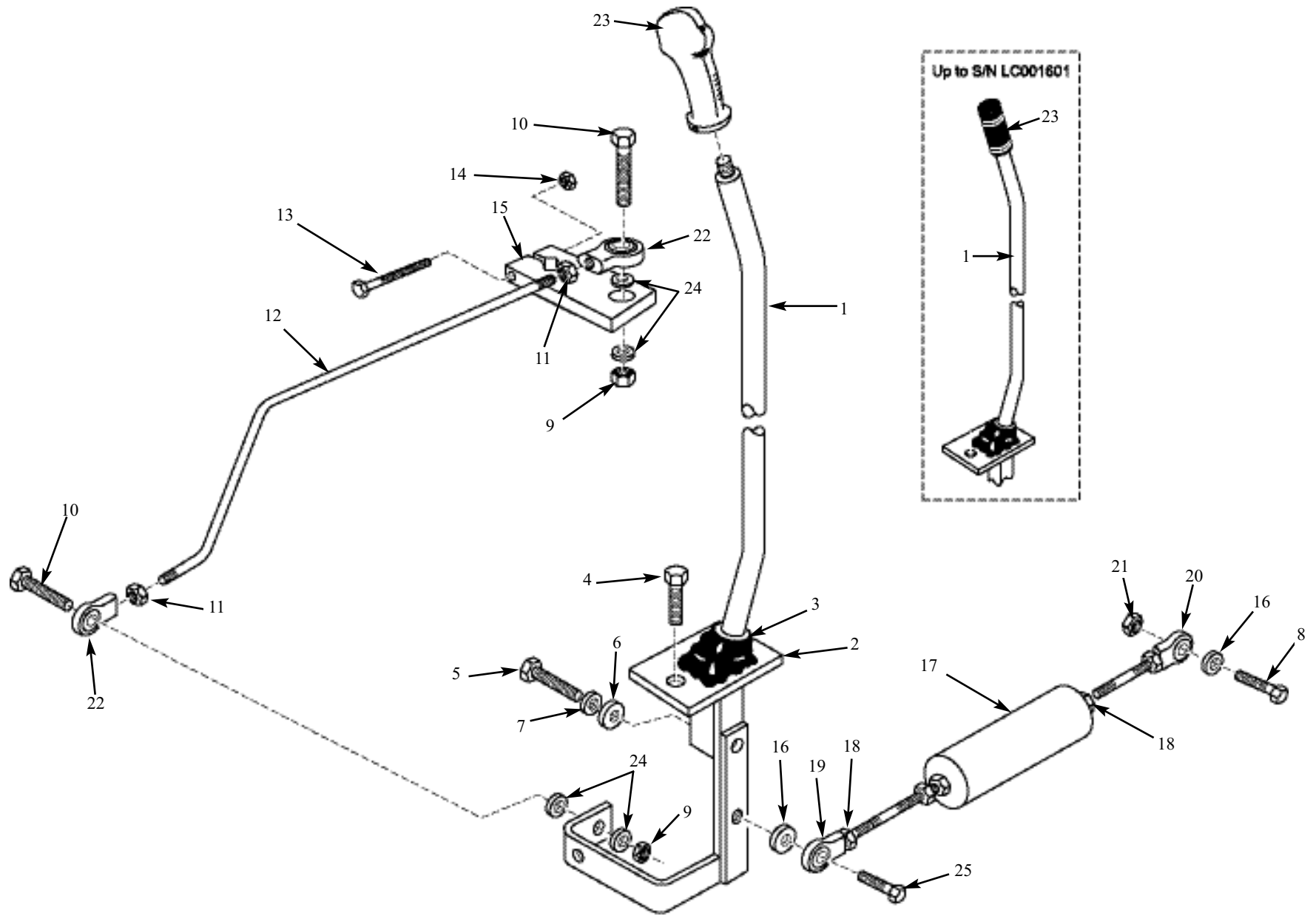
2.1(A)



ITEM	PART No.	QTY.	DESCRIPTION
1.	962049SP	1	Control Lever Assy, RH (up to S/N LC001601)
	962869SP	1	Control Lever Assy, RH (S/N LC001602 onward)
2.	021907SP	2	Screw, Self Tapping
3.	001673SP	1	Bolt, Hex
4.	001643SP	1	Washer, Flat
5.	001642SP	1	Washer, Lock
6.	030501SP	1	Boot
7.	001898SP	2	Nut, Hex
8.	007465SP	1	Nut, Nylok
9.	015880SP	1	Rod End Assy, Male
10.	021174SP	2	Washer
11.	001672SP	1	Bolt, Hex
12.	005803SP	1	Rod End Assy, Female
13.	006393SP	1	Nut, Hex
14.	005406SP	2	Nut, Hex
15.	042207SP	2	Rod End Assy, Female RH
16.	001668SP	2	Bolt, Hex
17.	003313SP	1	Bolt, Hex
18.	006645SP	1	Nut, Nylok
19.	962047SP	1	Pintle Lever Assy
20.	043126SP	1	Bar, Pintle Lever Linkage
21.	959073SP	1	Hydroback Assy
22.	043159SP	1	Lever Boot Cover
23.	043808SP	1	Lever Grip (up to S/N LC001601)
	044181SP	1	Handle, Ergonomic Plain (S/N LC001602 onward)
24.	006394SP	4	Washer, Lock
25.	001387SP	1	Bolt, Hex

CONTROL LEVERS, FOOT (LH Side)

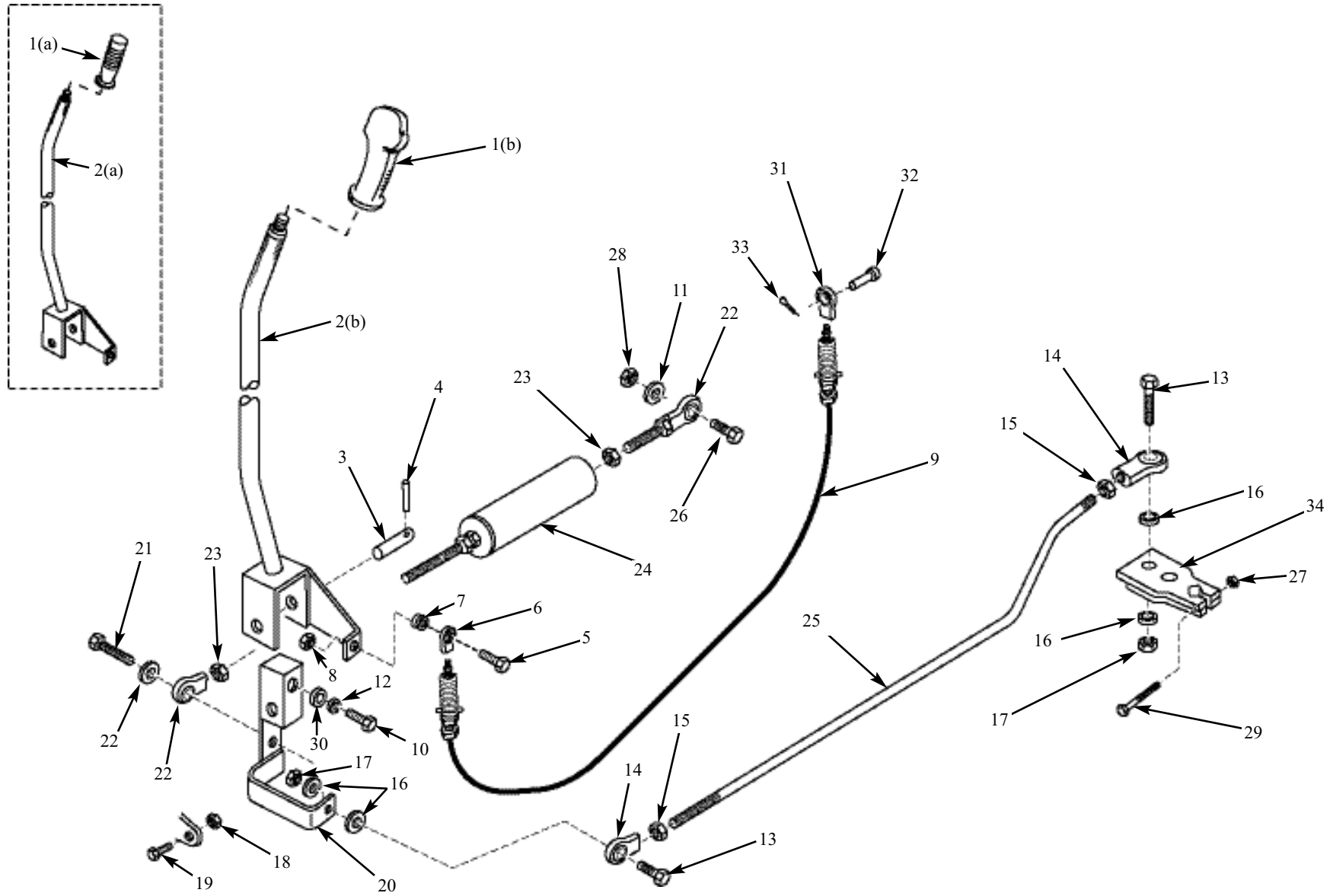
2.1(B)



ITEM	PART No.	QTY.	DESCRIPTION
1.	962048SP	1	LH Control Lever Assy (up to S/N LC001601)
	962868SP	1	LH Control Lever Assy (S/N LC001602 onward)
2.	030501SP	1	Boot, Neoprene
3.	043159SP	1	Lever Boot Cover
4.	021907SP	1	Screw, Self Tapping
5.	001673SP	1	Bolt
6.	001643SP	1	Washer, Flat
7.	001642SP	2	Washer, Lock
8.	001672SP	1	Bolt, Hex
9.	006393SP	1	Nut, Hex
10.	001668SP	2	Bolt, Hex
11.	005406SP	2	Nut, Hex
12.	043125SP	1	Bar, Pintle Lever Linkage
13.	003313SP	1	Bolt, Hex
14.	006645SP	1	Nut, Nylok
15.	962047SP	1	Pintle Lever Assy
16.	021174SP	2	Washer
17.	959073SP	1	Hydroback Assy
18.	001898SP	2	Nut, Hex
19.	005803SP	1	Rod End Assy, Female
20.	015880SP	1	Rod End Assy, Male
21.	007465SP	1	Nut, Nylok
22.	042207SP	2	Rod End Assy, Female
23.	043808SP	1	Handle, Grip Plain (up to S/N LC001601)
	044182SP	1	Handle, Ergonomic w/ Rocker and 2 Push Button Switches (S/N LC001602 onward)
24.	006394SP	4	Washer, Lock
25.	001387SP	1	Bolt, Hex

CONTROL LEVERS, HAND (RH Side)

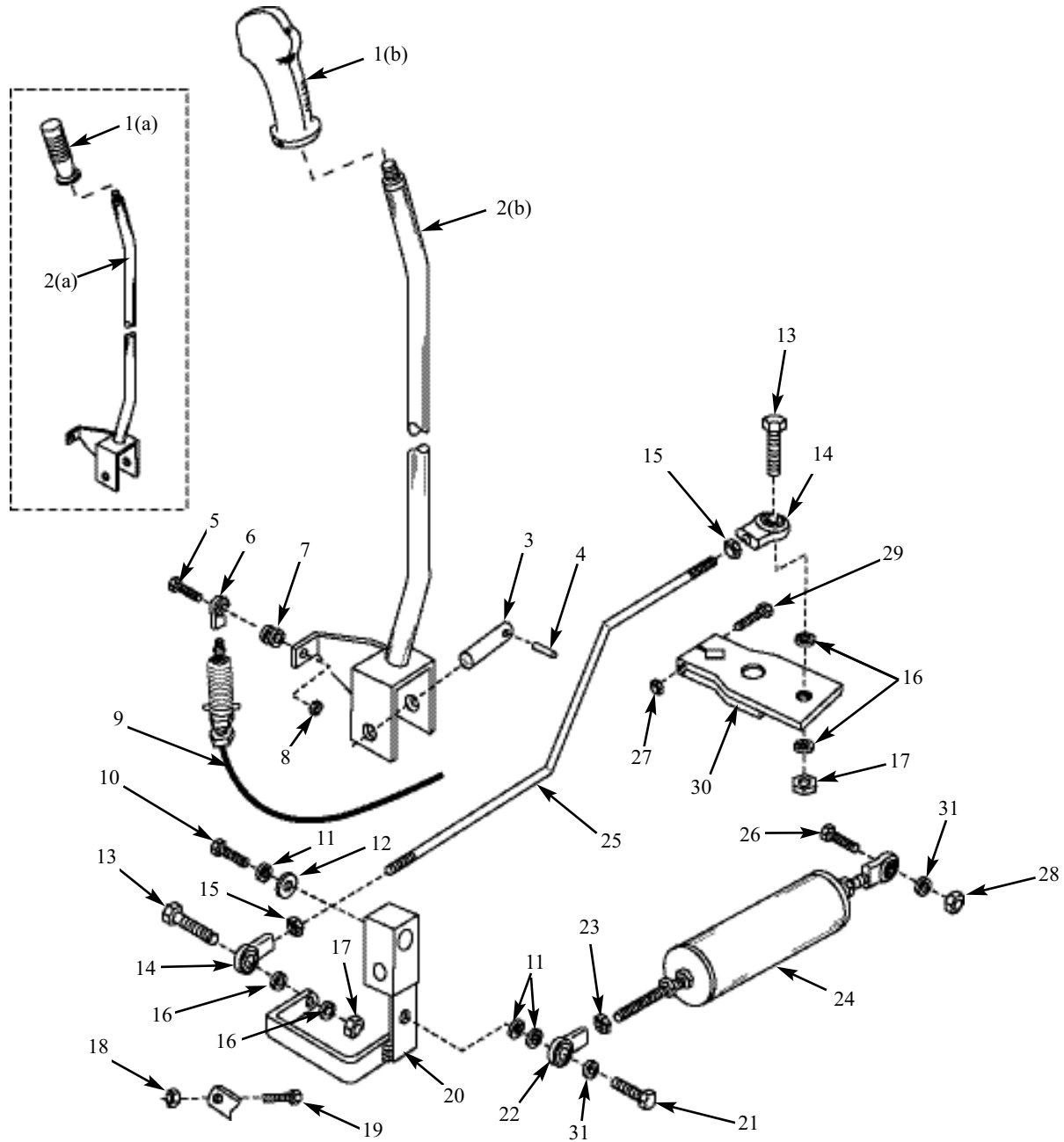
2.2(A)



ITEM	PART No.	QTY.	DESCRIPTION
1(a).	043808SP	1	Control Handle (up to S/N LC001553)
1(b).	044181SP	1	Control Handle (S/N LC001554 onward)
2(a).	961294SP	1	Control Lever, RH (up to S/N LC001601)
2(b).	962867SP	1	Control Lever, RH (S/N LC001602 onward)
3.	035763SP	1	Pivot Pin
4.	005896SP	1	Split Pin
5.	017421SP	1	Bolt
6.	035883SP	1	Rod End
7.	002279SP	2	Washer, Flat
8.	017432SP	1	Lock Nut
9.	042243SP	1	Cable
10.	001668SP	1	Bolt
11.	021174SP	2	Washer, Spacer
12.	001642SP	1	Washer, Lock
13.	001673SP	1	Bolt
14.	042207SP	1	Rod End
15.	005406SP	1	Nut
16.	006394SP	4	Lock Washer
17.	006393SP	2	Nut
18.	001194SP	2	Nut
19.	039837SP	1	Bolt, Speed Limiter
20.	962184SP	1	Swivel Assembly
21.	001387SP	1	Bolt
22.	005803SP	2	Rod End
23.	001893SP	2	Nut
24.	959073SP	1	Hydroback
25.	043126SP	1	Control Linkage, RH
26.	001672SP	1	Bolt
27.	006645SP	1	Lock Nut
28.	007465SP	1	Lock Nut
29.	003313SP	1	Bolt
30.	001643SP	1	Flat Washer
31.	036487SP	1	Eyelet
32.	030044SP	1	Clevis Pin
33.	001630SP	1	Cotter Pin
34.	962047SP	1	Pintle Lever

CONTROL LEVERS, HAND (LH Side)

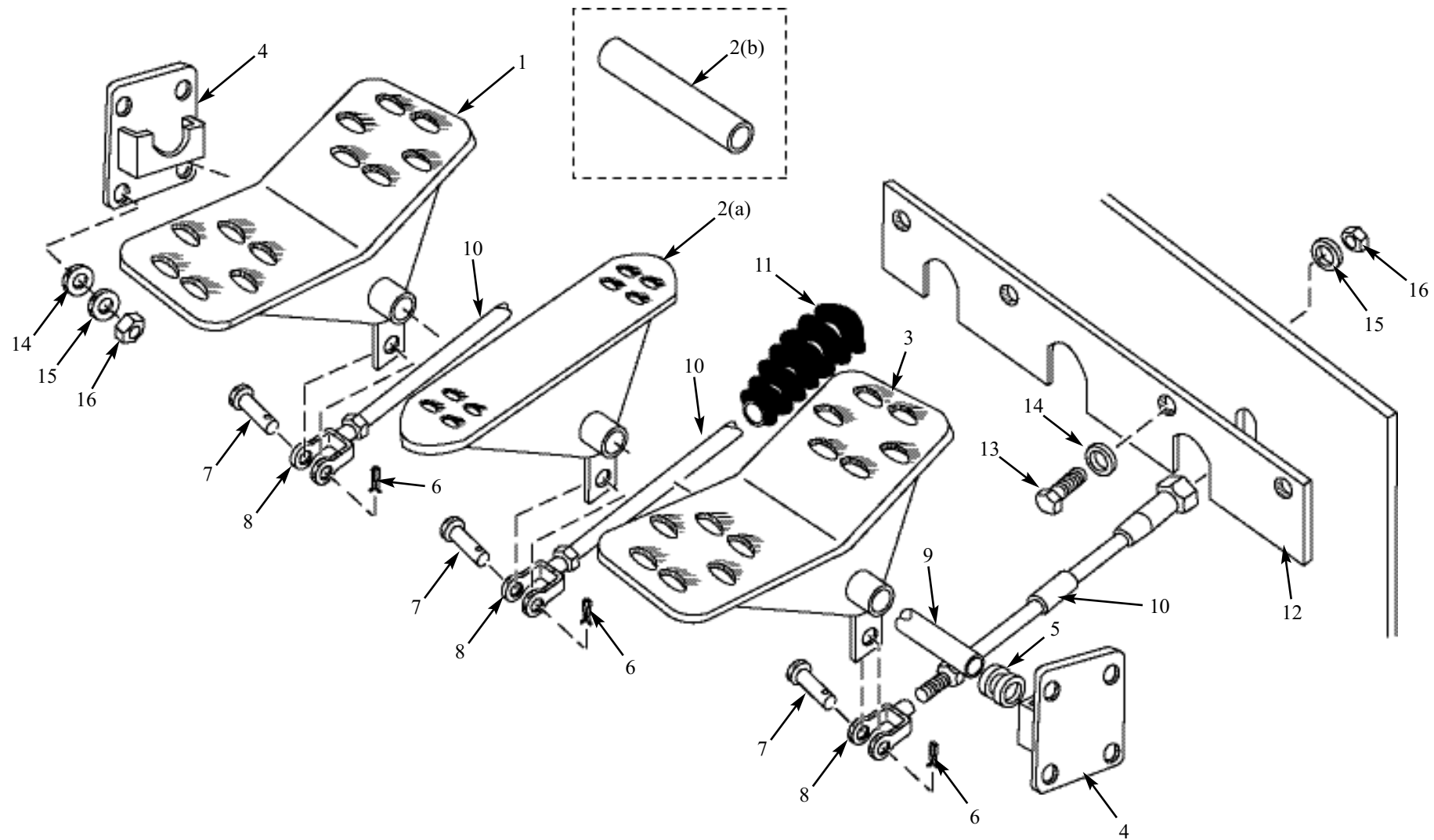
2.2(B)



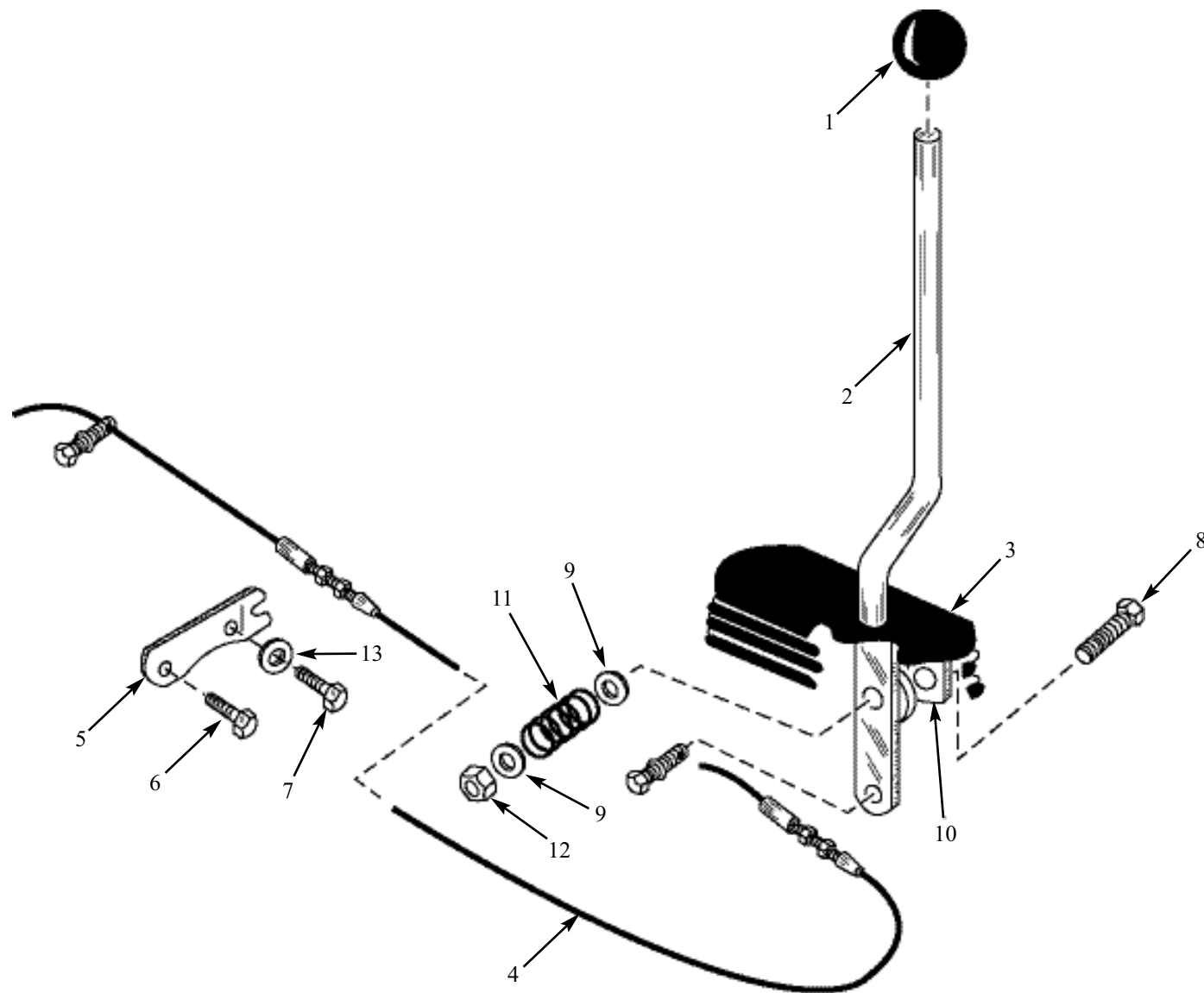
ITEM	PART No.	QTY.	DESCRIPTION
1(a).	043808SP	1	Control Handle (up to S/N LC001553)
1(b).	044181SP	1	Handle, Plain (S/N LC001554 onward)
	044182SP	1	Handle, Solenoid Auxiliary (S/N LC001554 onward)
2(a).	961293SP	1	Control Lever, L.H. (up to S/N LC001601)
2(b).	962866SP	1	Control Lever, L.H. (S/N LC001602 onward)
3.	035763SP	1	Pivot Pin
4.	005896SP	1	Split Pin
5.	017421SP	1	Bolt
6.	035883SP	1	Rod End
7.	002279SP	2	Washer
8.	017432SP	1	Lock Nut
9.	042243SP	1	Cable
10.	001673SP	1	Bolt
11.	001642SP	2	Lock Washer
12.	001643SP	1	Flat Washer
13.	001668SP	1	Bolt
14.	042207SP	2	Rod End
15.	005406SP	2	Nut
16.	006394SP	4	Lock Washer
17.	006393SP	2	Nut
18.	001194SP	1	Nut
19.	039837SP	1	Bolt, Speed Limiter
20.	962184SP	1	Swivel Assembly, R.H. Side
20.	962185SP	1	Swivel Assembly, L.H. Side
21.	001387SP	1	Bolt
22.	005803SP	1	Rod End
23.	001898SP	1	Nut
24.	959073SP	1	Hydroback
25.	043125SP	1	Control Linkage
26.	001672SP	1	Bolt
27.	006645SP	1	Lock Nut
28.	007465SP	1	Lock Nut
29.	003313SP	1	Bolt
30.	962047SP	1	Pintle Lever
31.	021174SP	2	Washer, Spacer

CONTROL LEVERS, HAND (LH Side)

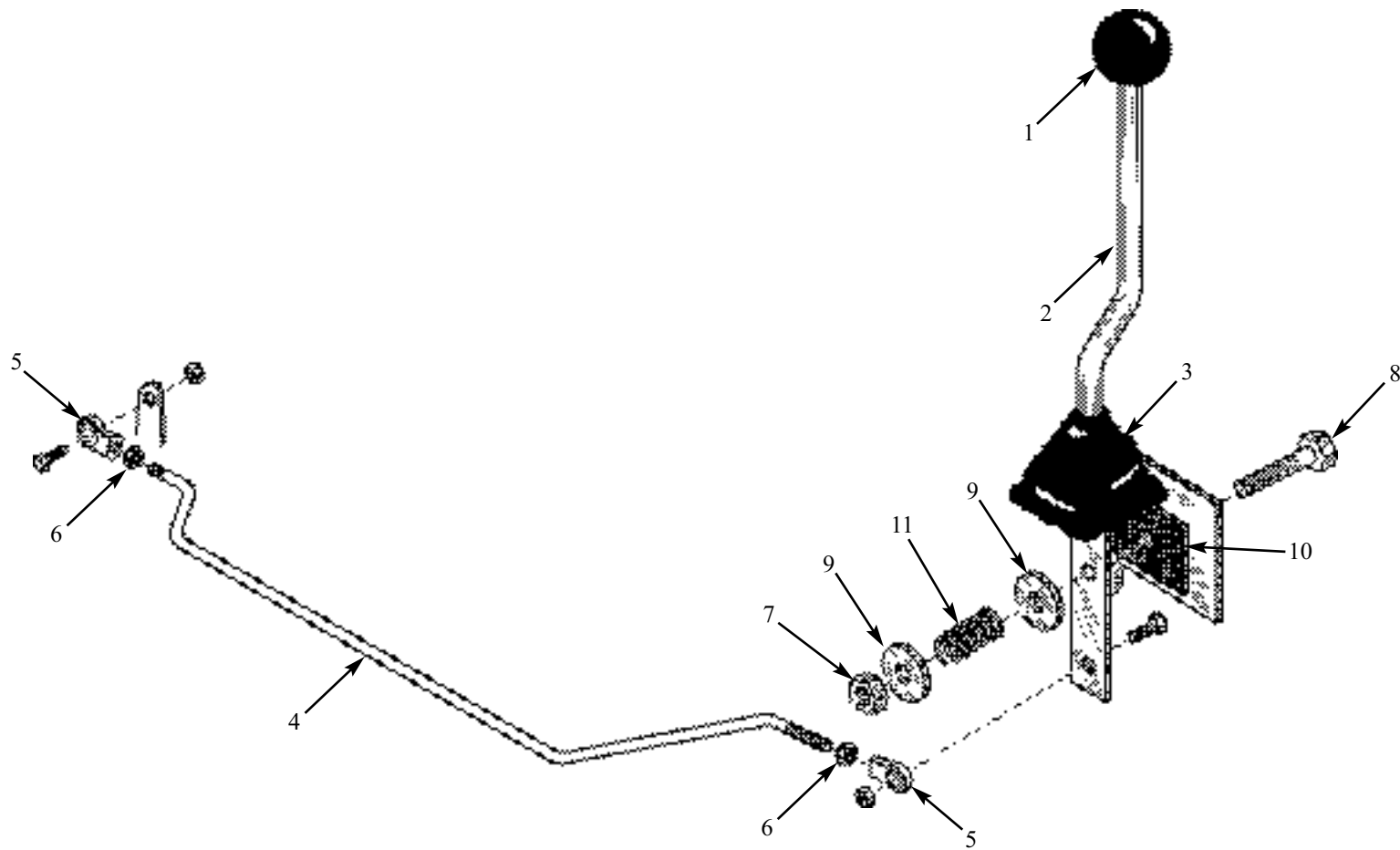
2.2(B)



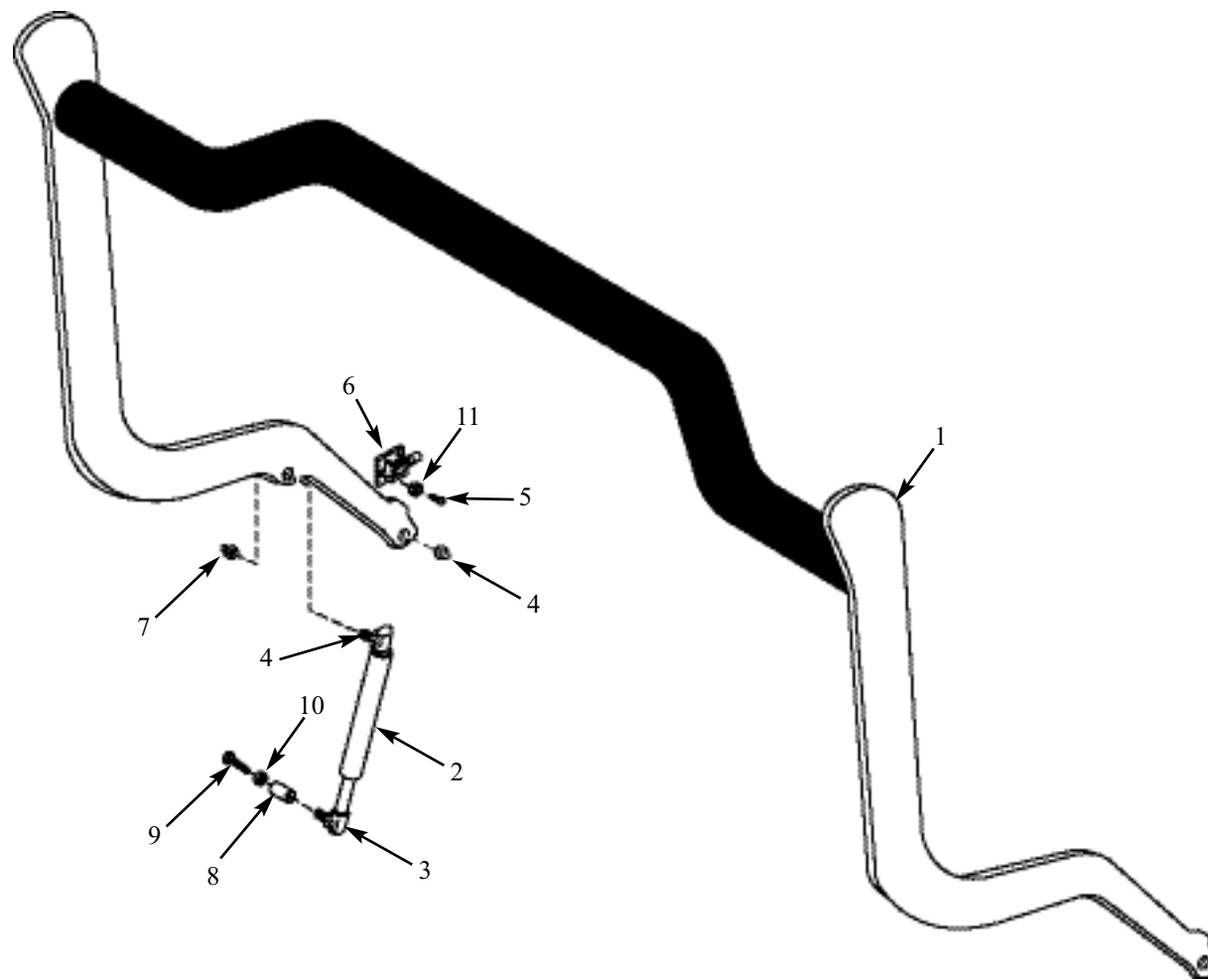
ITEM	PART No.	QTY.	DESCRIPTION
1.	960805SP	1	Pedal Assy.
2(a).	960807SP	1	Pedal Assy. (Optional)
2(b).	035855SP	1	Pipe, Auxiliary Foot Pedal Spacer (used on loaders with Solenoid Auxiliary)
3.	960806SP	1	Pedal Assy.
4.	962044SP	2	Axle Cover Assy.
5.	019181SP	1	Spacer (up to S/N LC001792)
	051797SP	1	Spacer (S/N LC001793 onward)
6.	001630SP	3	Cotter Pin
7.	030044SP	3	Clevis Pin
8.	035884SP	3	Clevis
9.	041189SP	1	Bar, Foot Pedal Shaft
10.	042243SP	3	Cable, Push / Pull
11.	043136SP	3	Kit, Boot, Control Cable
12.	042941SP	1	Plate, Cable Mount
13.	001190SP	4	Bolt
14.	001651SP	12	Washer, Flat
15.	001870SP	12	Washer, Lock
16.	001191SP	12	Nut, Hex



ITEM	PART No.	QTY.	DESCRIPTION
1.	038517SP	1	Knob, Red Ball
2.	960571SP	1	Throttle Handle Assy.
3.	028982SP	1	Boot, Throttle Cable
4.	041082SP	2	Throttle Cable (up to S/N LC001250)
5.	043137SP	2	Throttle Cable Mount (up to S/N LC001250)
6.	021554SP	1	Bolt, Hex
7.	024790SP	1	Bolt, Hex
8.	001671SP	1	Bolt
9.	001643SP	2	Washer
10.	023371SP	1	Pad, Throttle Friction
11.	007416SP	1	Spring
12.	001194SP	1	Nut
13.	021028SP	1	Lockwasher



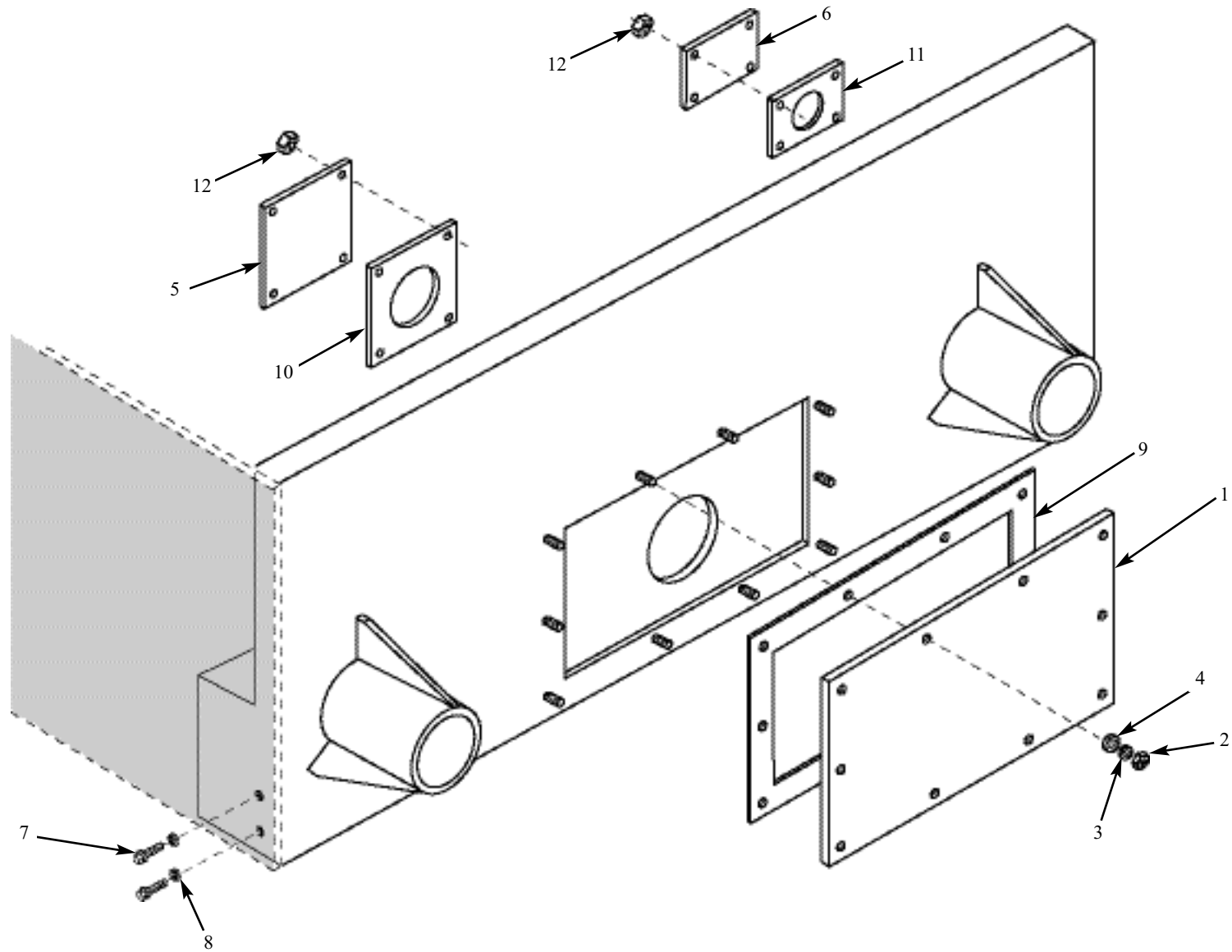
ITEM	PART No.	QTY.	DESCRIPTION
1.	038517SP	1	Knob, Red Ball
2.	960571SP	1	Throttle Handle Assy.
3.	028982SP	1	Boot, Throttle Cable
4.	044811SP	1	Bar, Throttle Rod
5.	035883SP	2	Rod End Assy.
6.	005405SP	2	Nut, Hex 1/4" UNF
7.	001194SP	1	Nut
8.	001671SP	1	Bolt
9.	001643SP	2	Washer
10.	023371SP	1	Pad, Throttle Friction
11.	007416SP	1	Spring



ITEM	PART No.	QTY.	DESCRIPTION
1.	961999SP	1	Restraint Bar Assembly
2.	043004SP	1	Spring, Gas
3.	043005SP	2	Stud, Ball
4.	008613SP	2	Nut, Nylok
5.	015885SP	2	Bolt, Stove
6.	042950SP	1	Switch, Dual
7.	043022SP	2	Nut, Lock
8.	042992SP	2	Bar, Shock Spacer
9.	002593SP	2	Bolt, Hex
10.	001870SP	2	Washer, Lock
11.	002811SP	2	Washer, Lock

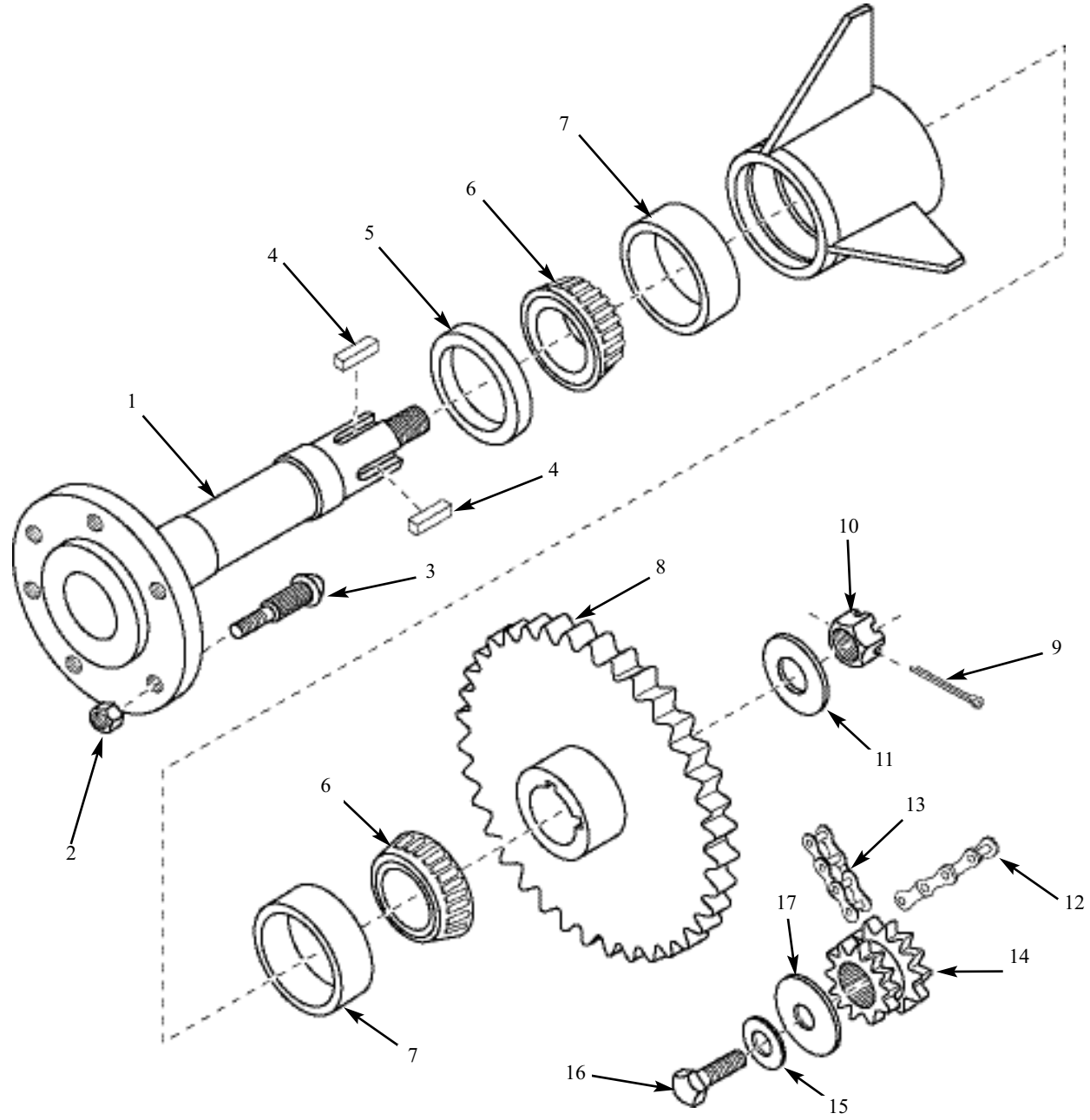
3. FINAL DRIVE TRANSMISSION

Transmission Housing..... 3.1
Axle Assembly..... 3.2



ITEM	PART No.	QTY.	DESCRIPTION
1.	041178SP	1	Inspection Cover
2.	001191SP	10	Nut, Hex
3.	001870SP	10	Washer, Lock
4.	001651SP	10	Washer, Flat
5.	962044SP	1	Axle Cover Assy.
6.	022462SP	1	Axle Cover
7.	044357SP	2	Plug, Drain
8.	044358SP	2	Washer, Flex
9.	046457SP	1	Gasket, Inspection Cover
10.	049717SP	1	Gasket, Foot Pedal Support
11.	049490SP	1	Gasket, Rear Cover
12.	043558SP	8	Nut, Hex Flange

* Quantities listed are for one side of the machine only.



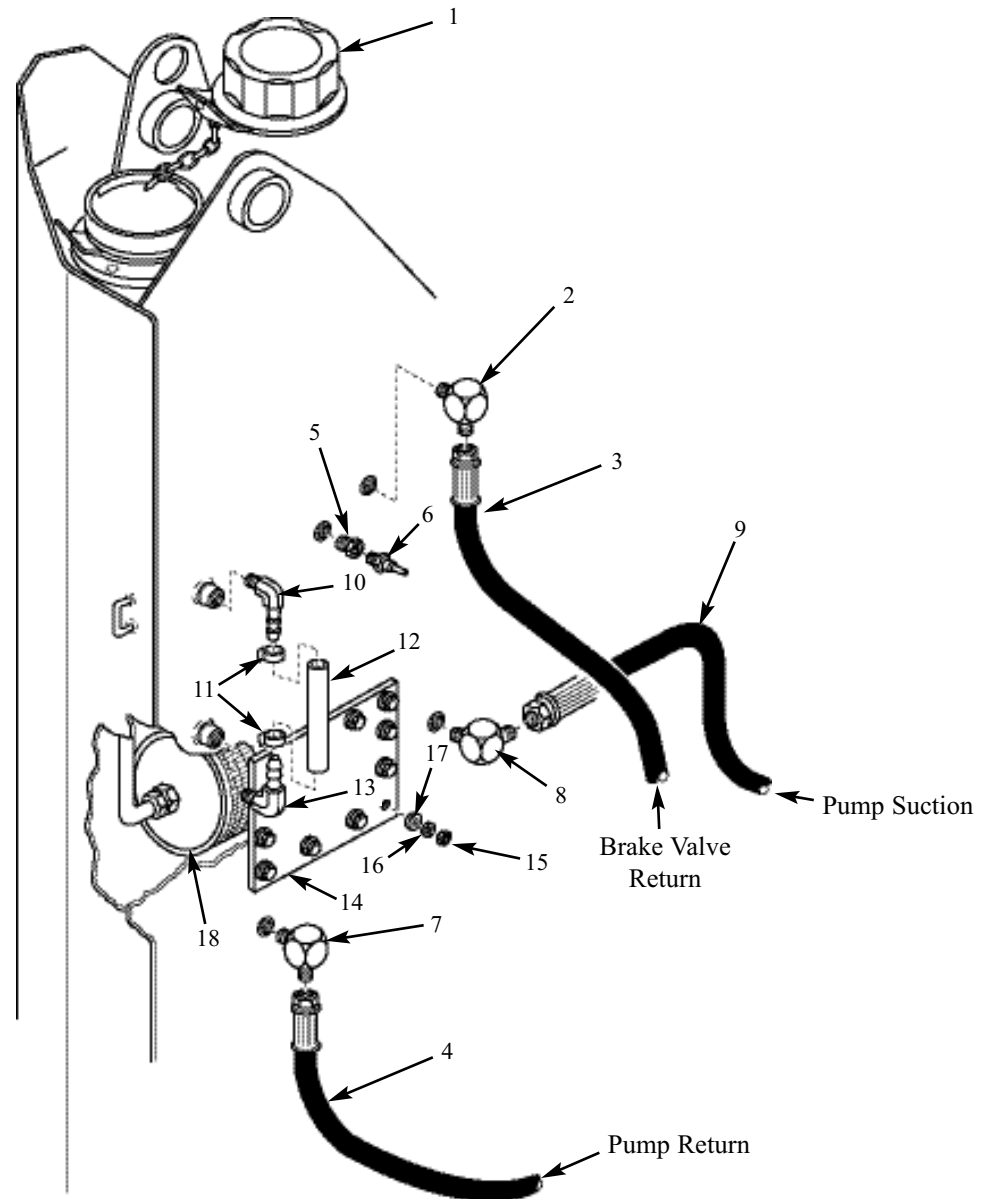
ITEM	PART No.	QTY.	DESCRIPTION
1.	961855SP	4	Axle Assy.
2.	005832SP	6	Wheel Nuts
3.	026188SP	6	Wheel Studs
4.	020200SP	2	Keystock (up to S/N LC001792 and also including S/N LC001795)
	051847SP	2	Keystock (S/N LC001793 onward, with exception of S/N LC001795)
5.	003667SP	1	Seal (up to S/N LC001792)
	049611SP	1	Seal, Double Lip (S/N LC001793 onward)
6.	003665SP	2	Bearing, Cone
7.	005968SP	2	Bearing, Race
8.	042703SP	1	Sprocket, Rear
	042704 SP	1	Sprocket, Front
9.	001634SP	1	Cotter Pin
10.	014877SP	1	Castle Nut
11.	022448SP	1	Washer, Axle
12(a).	038345SP	1	Chain, Short Front w/Conn. Link (up to S/N LC001310)
12(b).	044801SP	1	Chain, 58 Pitch, Endless (S/N LC001311 onward)
13(a).	038346SP	1	Chain, Long Rear Chain w/Conn. Link (up to S/N LC001310)
13(b).	044802SP	1	Chain, 74 Pitch, Endless (S/N LC001311 onward)
14.	042705SP	1	Drive Sprocket
15.	001193SP	1	Bolt
16.	001642SP	1	Washer, Lock
17.	042546SP	1	Washer, Flat
*	043431SP	1	Link, Conn for items 12(a) & 13(a)
*	048156SP	1	Chain Kit Complete {includes items 12(b) & 13(b) - Qty of 2 each}
*	048150SP	1	Sprocket Kit {includes items 8 (front and rear) & 14 - Qty of 2 each}

* Item not shown

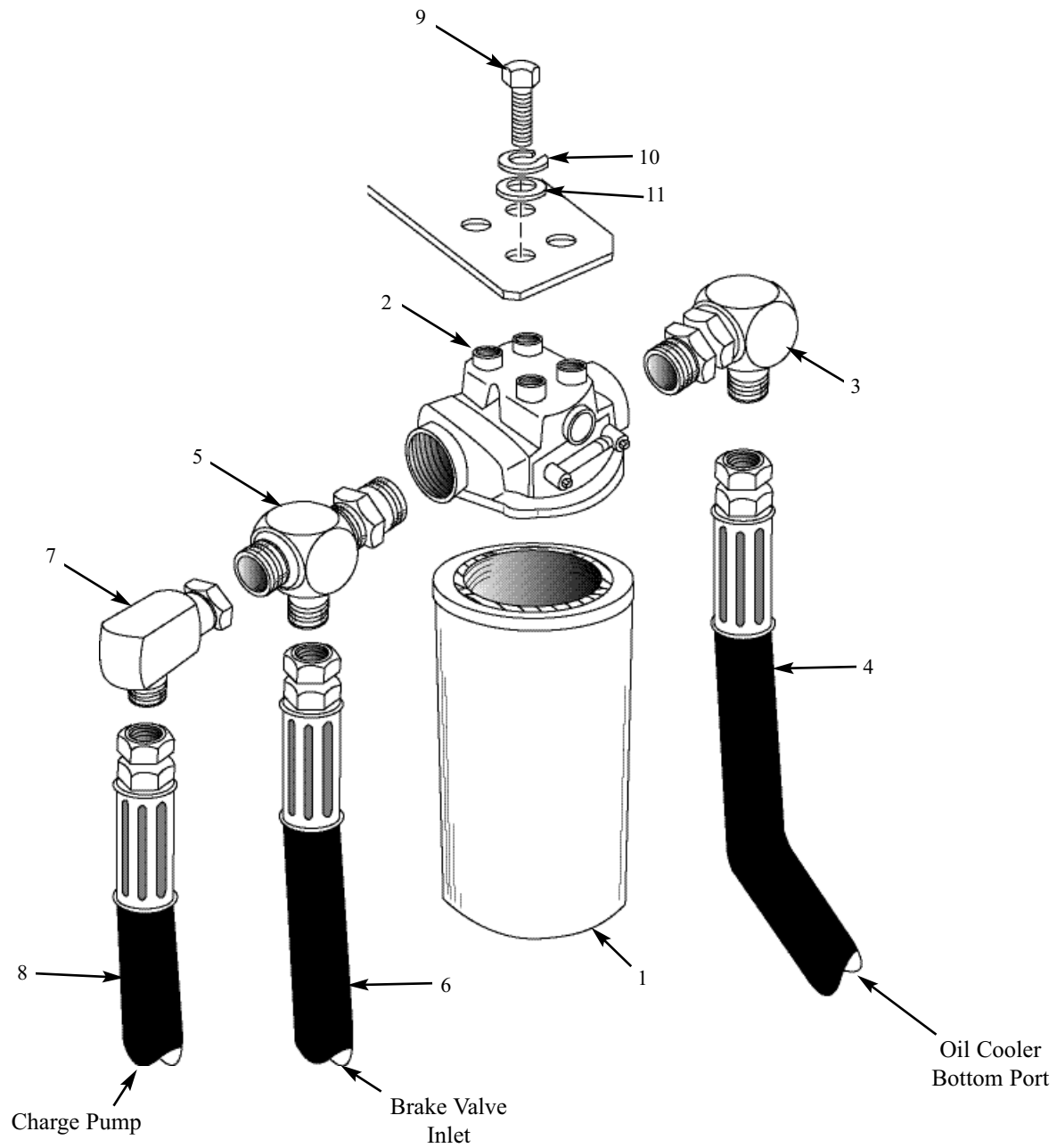
** Quantities listed for items 2-17 are per axle assy.

4. HYDRAULIC SYSTEM

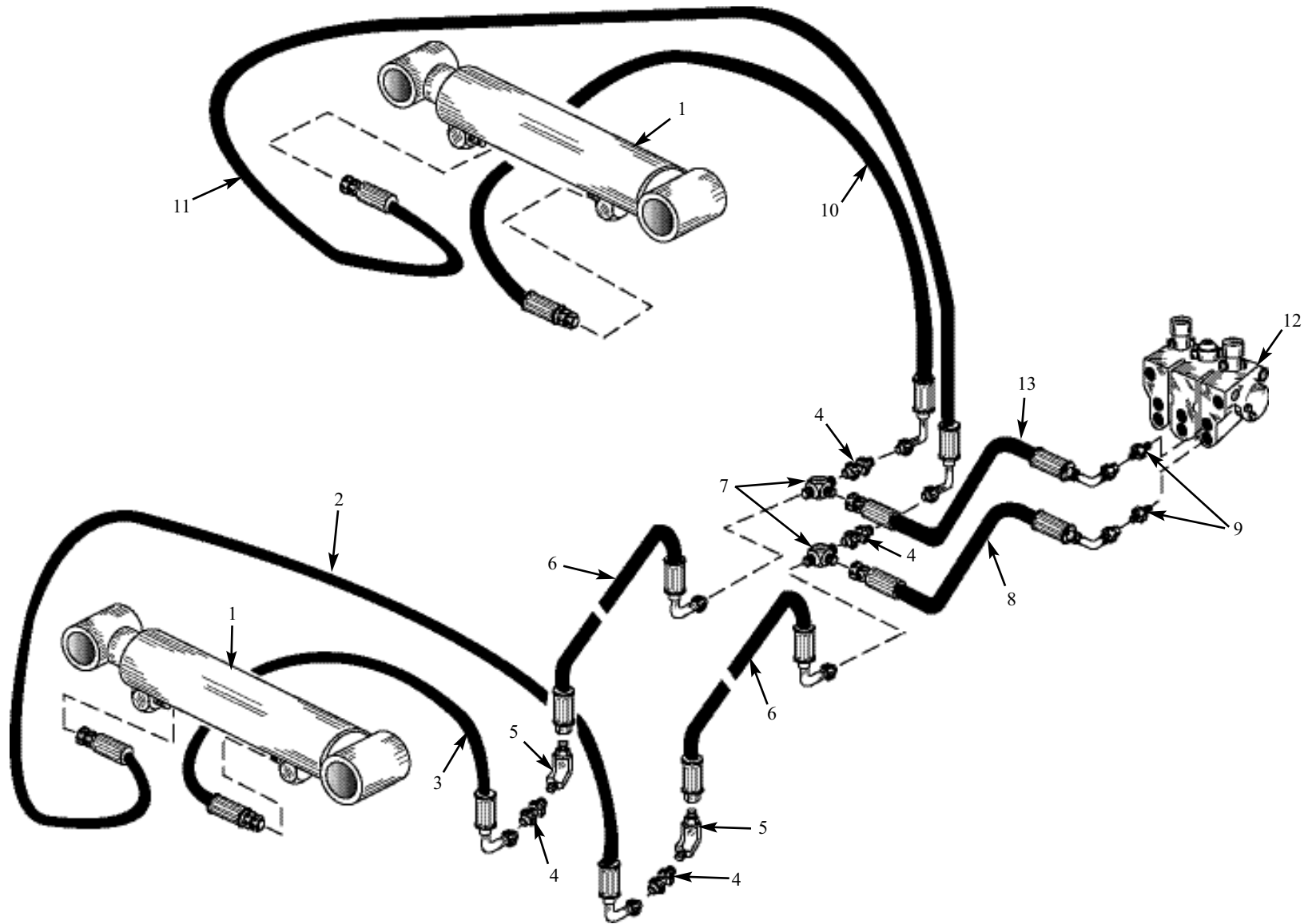
Oil Reservoir.....	4.1
Hydraulic Oil Filter	4.2
Boom Lift Circuit (up to S/N LC001170).....	4.3(A)
Boom Lift Circuit (S/N LC001171 onward - Standard).....	4.3(B)
Boom Lift Circuit (S/N LC001171 onward - w/ Self Level Valve).....	4.3(C)
Lift Cylinder	4.4
Bucket Tilt Circuit (up to S/N LC001170)	4.5(A)
Bucket Tilt Circuit (S/N LC001171 onward - Standard)	4.5(B)
Bucket Tilt Circuit (S/N LC001171 onward - w/ Self Level Valve)	4.5(C)
Tilt Cylinder	4.6
Auxiliary Hydraulic Circuit (up to S/N LC001170).....	4.7(A)
Auxiliary Hydraulic Circuit (S/N LC001171 onward).....	4.7(B)
Control Valve (up to S/N LC001180)	4.8(A)
Control Valve - Manual Auxiliary (S/N LC001181 onward)	4.8(B)
Control Valve - Electric Auxiliary (S/N LC001181 onward).....	4.8(C)



ITEM	PART No.	QTY.	DESCRIPTION
1.	036733SP	1	Breather, Filler Cap Assy
2.	021324SP	1	Elbow
3.	962074SP	1	Hose, Hydraulic
4.	962065SP	1	Hose, Hydraulic
5.	040333SP	1	Bushing, Reducer
6.	037206SP	1	Switch, Temp.
7.	038654SP	1	Elbow, 90 deg.
8.	038652SP	1	Elbow, 90 deg
9.	962060SP	1	Hose, Hyd.
10.	034903SP	1	Elbow, 90 deg
11.	034919SP	2	Clamp
12.	000698SP	1	Tube, Clear Vinyl
13.	034903SP	1	Elbow, 90 deg
14.	022381SP	1	Cover, Inspection
15.	001191SP	1	Nut, Hex.
16.	001870SP	2	Washer, Lock
17.	001651SP	1	Washer, Flat
18.	014898SP	1	Element, Hyd. Oil
*	046458SP	1	Gasket, Oil Tank Inspection Cover



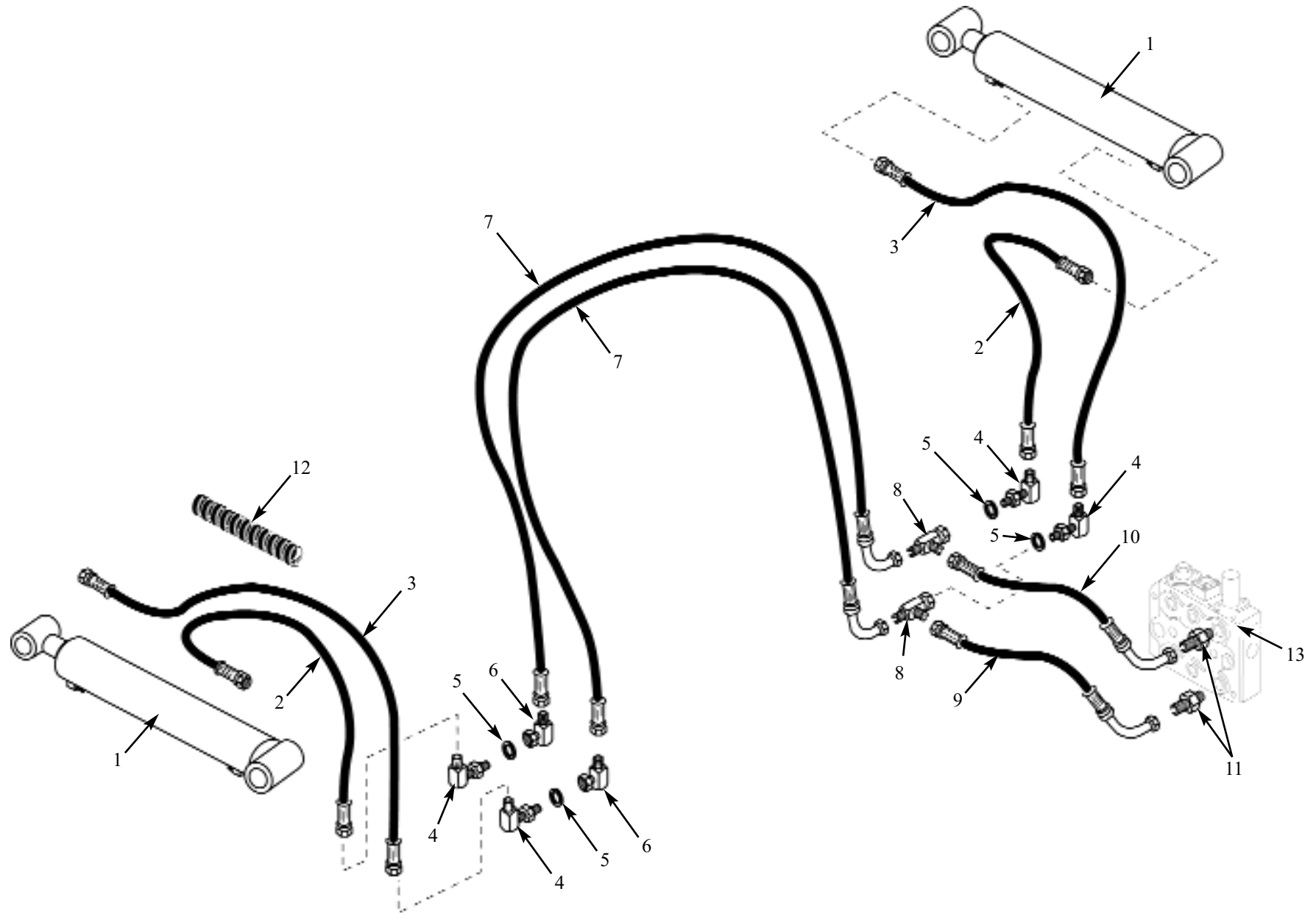
ITEM	PART No.	QTY.	DESCRIPTION
*	042556SP	1	Hydraulic Filter Assy (includes items 1 & 2)
1.	035243SP	1	Filter Element
2.	042557SP	1	Head, Filter Hyd. Assy
3.	043163SP	1	Connector (up to S/N LC001350)
	025011SP	1	Elbow (S/N LC001351 onward)
4.	962062SP	1	Hose, Hyd. (up to S/N LC001350)
	963335SP	1	Hose, Hyd. (S/N LC001351 onward)
5.	036848SP	1	Tee, Run
6.	962063SP	1	Hose, Hyd.
7.	042293SP	1	Elbow
8.	962064SP	1	Hose, Hyd.
9.	001193SP	4	Bolt
10.	001642SP	4	Washer, Lock
11.	001643SP	4	Washer, Flat



ITEM	PART No.	QTY.	DESCRIPTION
1.	038358SP	2	Cylinder
2.	962077SP	1	Hose, Hydraulic
3.	962078SP	3	Hose, Hydraulic
4.	039042SP	4	Connector
5.	021553SP	2	Elbow, 90 deg.
6.	962076SP	2	Hose, Hydraulic
7.	026641SP	2	Tee, Run
8.	962075SP	2	Hose, Hydraulic (up to S/N LC001170)
9.	019238SP	2	Connector (up to S/N LC001170)
10.	962078SP	4	Hose, Hydraulic
11.	962077SP	1	Hose, Hydraulic
12.	039536SP	2	Valve Assy with Locks (up to S/N LC001170)

BOOM LIFT CIRCUIT (S/N LC001171 onward - Standard)

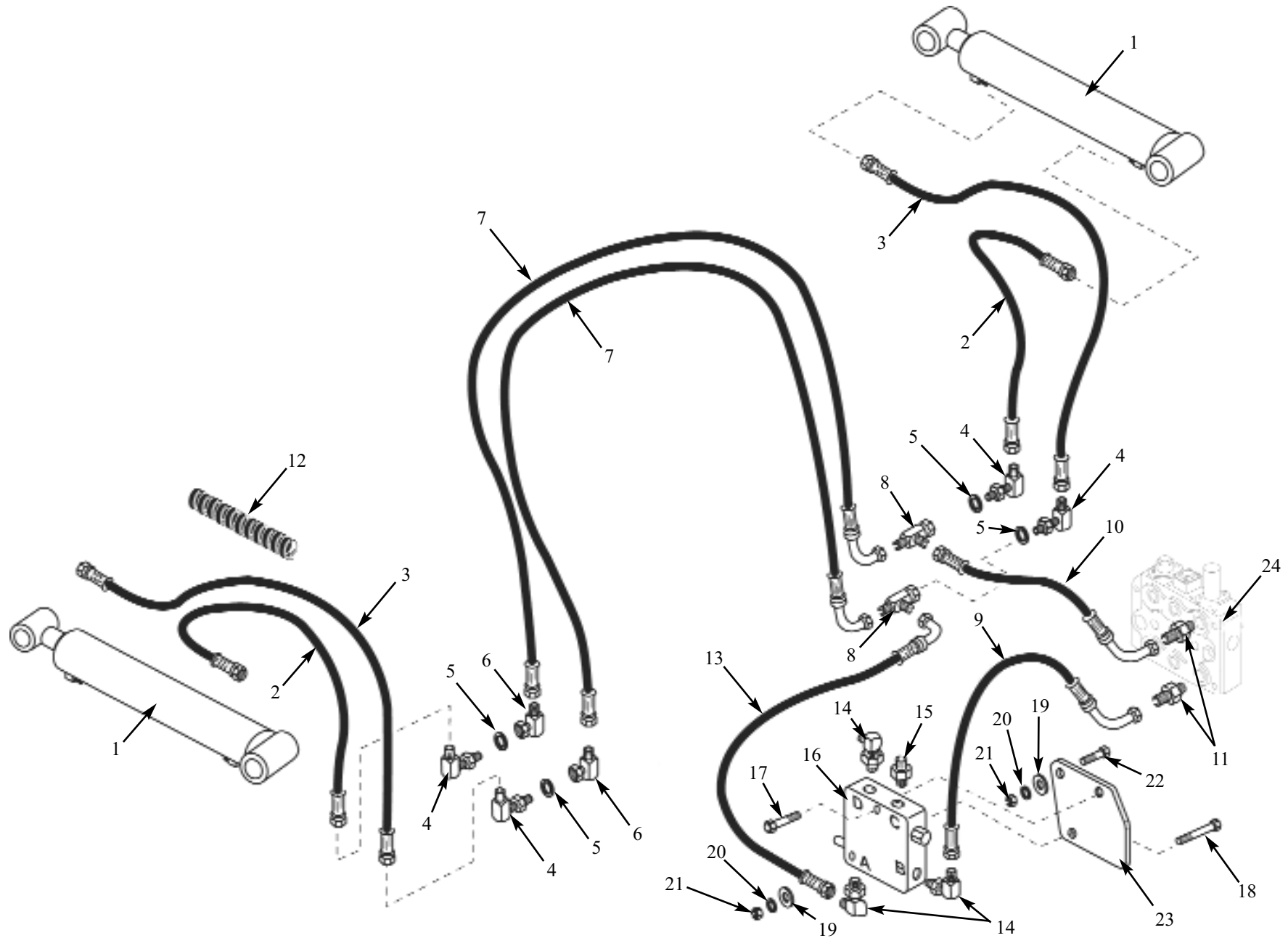
4.3(B)



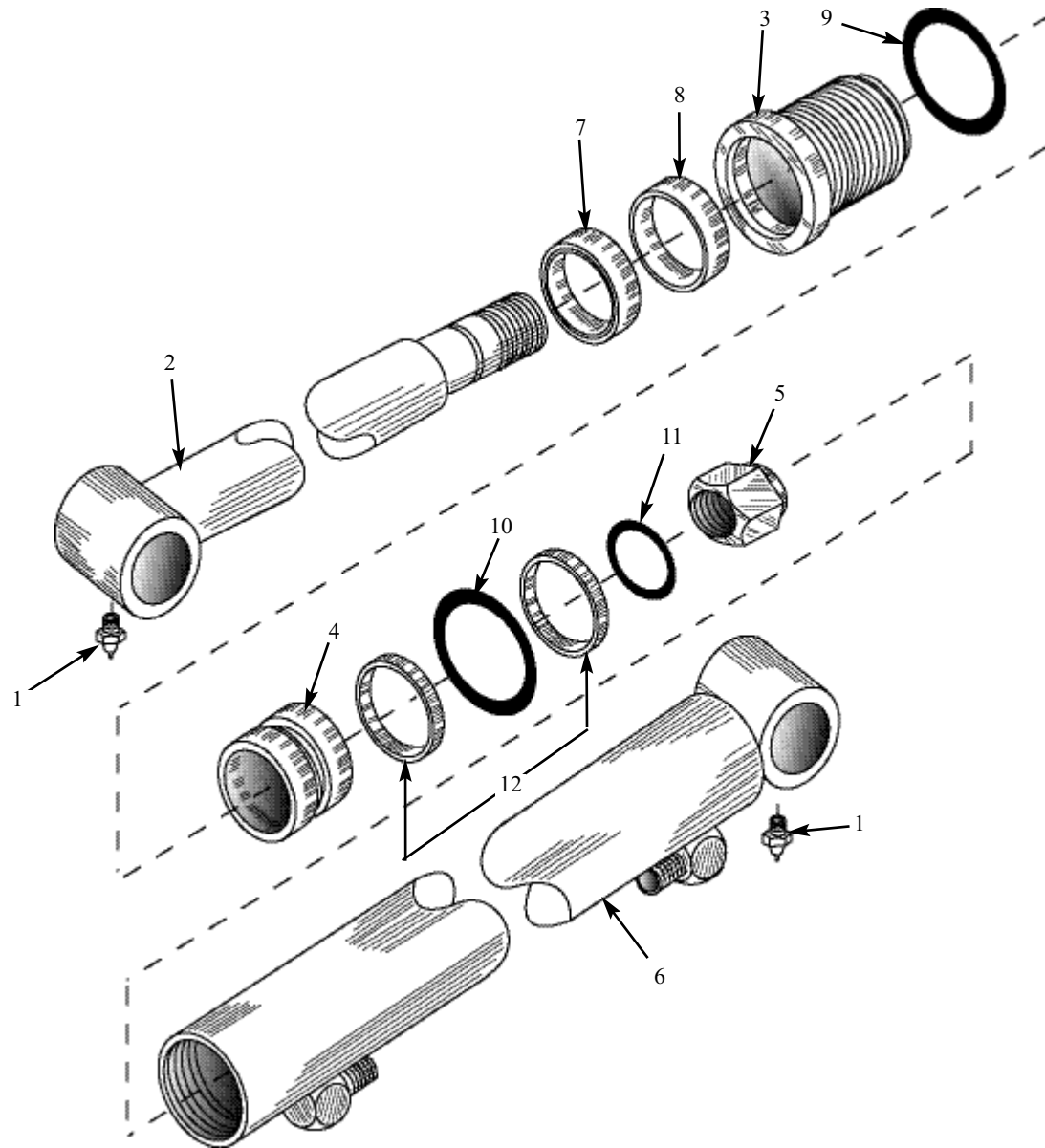
ITEM	PART No.	QTY.	DESCRIPTION
1.	038358SP	2	Cylinder
2.	962078SP	2	Hose, Hydraulic 3/8" x 27.1"
3.	962077SP	2	Hose, Hydraulic 3/8" x 41.1"
4.	039042SP	4	Connector, Bulkhead
5.	043902SP	4	Washer, Lock Internal Tooth
6.	021553SP	2	Elbow, 90°
7.	962076SP	2	Hose, Hydraulic 3/8" x 42.5"
8.	026641SP	2	Tee, Run
9.	962706SP	1	Hose, Hydraulic 3/8" x 19.8"
10.	962707SP	1	Hose, Hydraulic 3/8" x 22.8"
11.	014868SP	2	Connector
12.	000415SP	A/R	Tube, Heli 3/4 x 3/4P Black
13.	044257SP	1	Valve, Assy. (Solenoid Auxiliary)

BOOM LIFT CIRCUIT (S/N LC001171 onward - w/ Self Level Valve)

4.3(C)



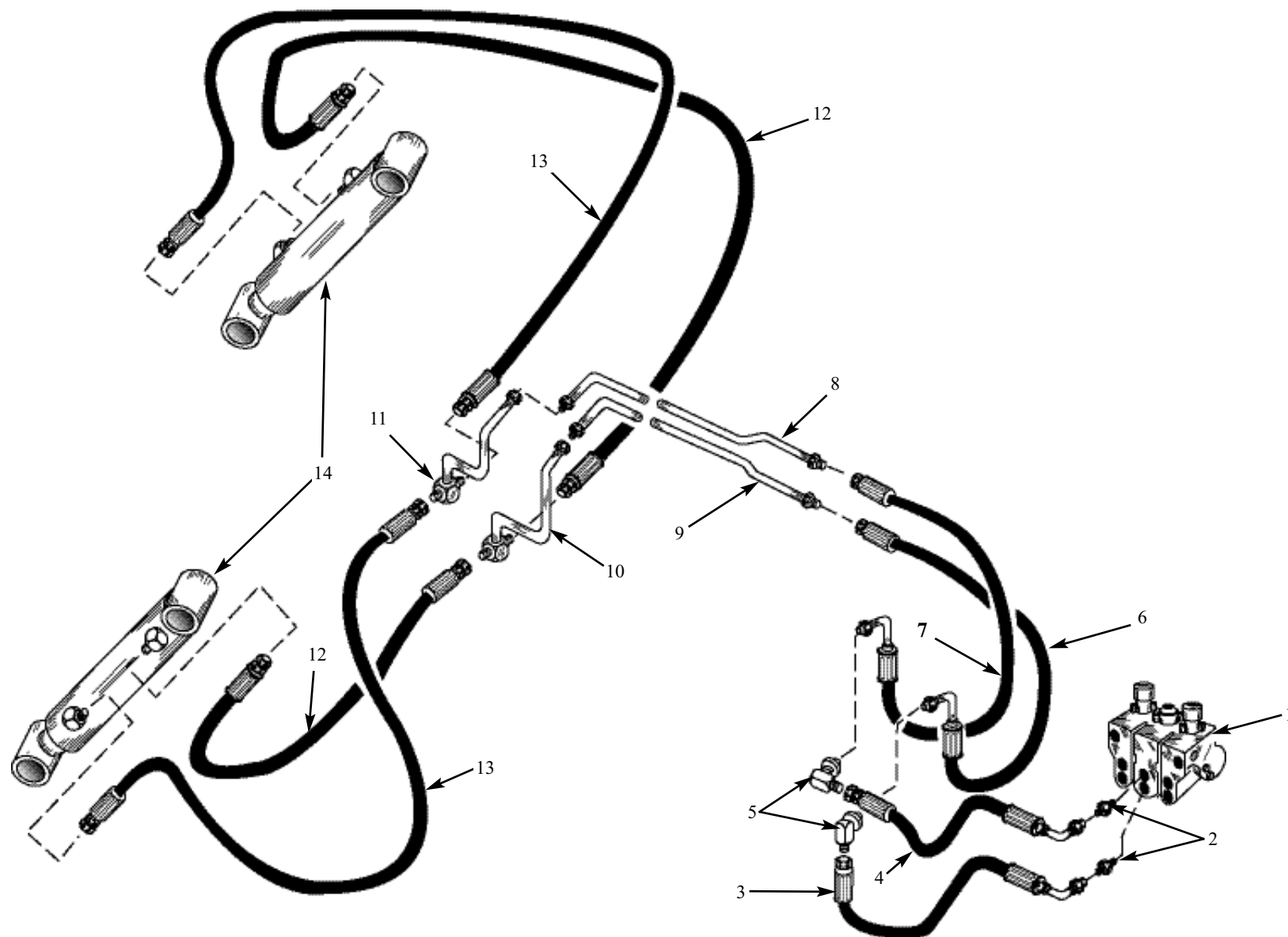
ITEM	PART No.	QTY.	DESCRIPTION
1.	038358SP	2	Cylinder
2.	962078SP	2	Hose, Hydraulic 3/8" x 27.1"
3.	962077SP	2	Hose, Hydraulic 3/8" x 41.1"
4.	039042SP	4	Connector, Bulkhead
5.	043902SP	4	Washer, Lock Internal Tooth
6.	021553SP	2	Elbow, 90°
7.	962076SP	2	Hose, Hydraulic 3/8" x 42.5"
8.	026641SP	2	Tee, Run
9.	962706SP	1	Hose, Hydraulic 3/8" x 19.8"
10.	962707SP	1	Hose, Hydraulic 3/8" x 22.8"
11.	014868SP	2	Connector
12.	000415SP	A/R	Tube, Heli 3/4 x 3/4P Black
13.	963268SP	1	Hose, Hydraulic 3/8" x 12"
14.	020194SP	3	Elbow, 90°
15.	020182SP	1	Connector
16.	043487SP	1	Valve, Self Level Assy.
17.	001677SP	1	Bolt, Hex 5/16" x 2"
18.	026105SP	1	Bolt, Hex 5/16" x 2 3/4"
19.	001651SP	2	Washer, Flat 5/16"
20.	001870SP	2	Washer, Lock 5/16"
21.	001191SP	2	Nut, Hex 5/16"
22.	024625SP	1	Bolt, Hex 5/16" x 1 1/4"
23.	046090SP	1	Plate, Self Level Mount
24.	044257SP	1	Valve, Assy. (Solenoid Auxiliary)



ITEM	PART No.	QTY.	DESCRIPTION
	038358SP	2	Lift Cylinder, Complete
1.	002010SP	2	Grease Fitting
2.	038745SP	1	Shaft
3.	029994SP	1	Cap, End
4.	029995SP	1	Piston
5.	023530SP	1	Nut
6.	038746SP	1	Body, Cylinder
*	043444SP	1	Kit, Seal (includes items 7-12)
7.	-	1	Seal Wiper
8.	-	1	Seal, Rod
9.	-	1	O - ring, End Cap
10.	-	1	O - ring
11.	-	1	O - ring
12.	-	1	Washer, Backup

BUCKET TILT CIRCUIT (up to S/N LC001170)

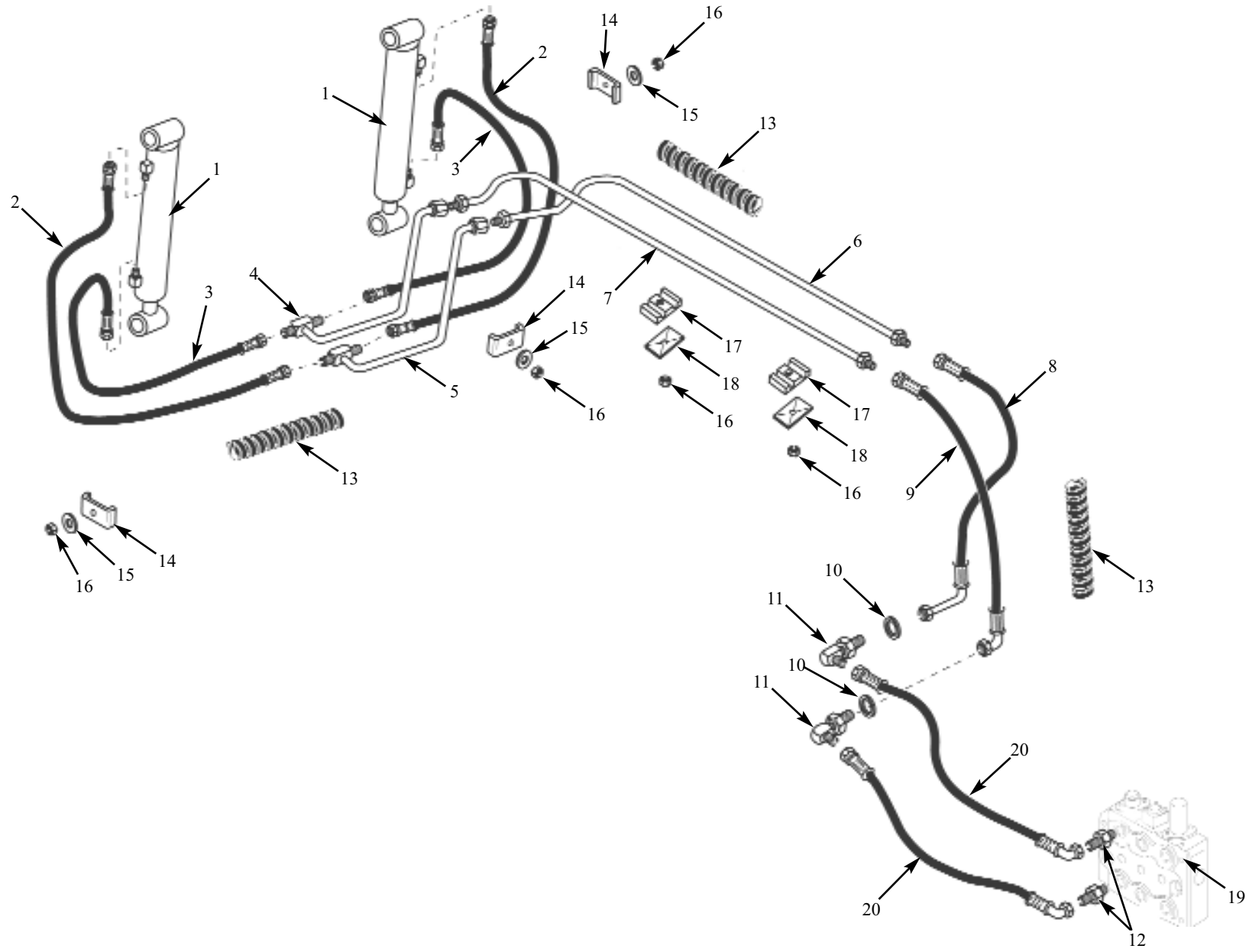
4.5(A)



ITEM	PART No.	QTY.	DESCRIPTION
1.	039536SP	1	Valve Assy with Locks
2.	019238SP	2	Connector (up to S/N LC001170)
3.	962081SP	1	Hose, Hyd. (up to S/N LC001170)
4.	962080SP	1	Hose, Hyd. (up to S/N LC001170)
5.	039042SP	2	Connector
6.	962079SP	1	Hose, Hyd.
7.	962094SP	1	Hose, Hyd.
8.	043023SP	1	Tube, Hyd., Tilt Outer
9.	043024SP	1	Tube, Hyd., Tilt, Inner
10.	043027SP	1	Tube, Hyd., Tilt Outer
11.	043028SP	1	Tube, Hyd., Tilt Inner
12.	962082SP	2	Hose, Hyd.
13.	962078SP	2	Hose, Hyd.
14.	042881SP	2	Cylinder

BUCKET TILT CIRCUIT (S/N LC001171 onward - Standard)

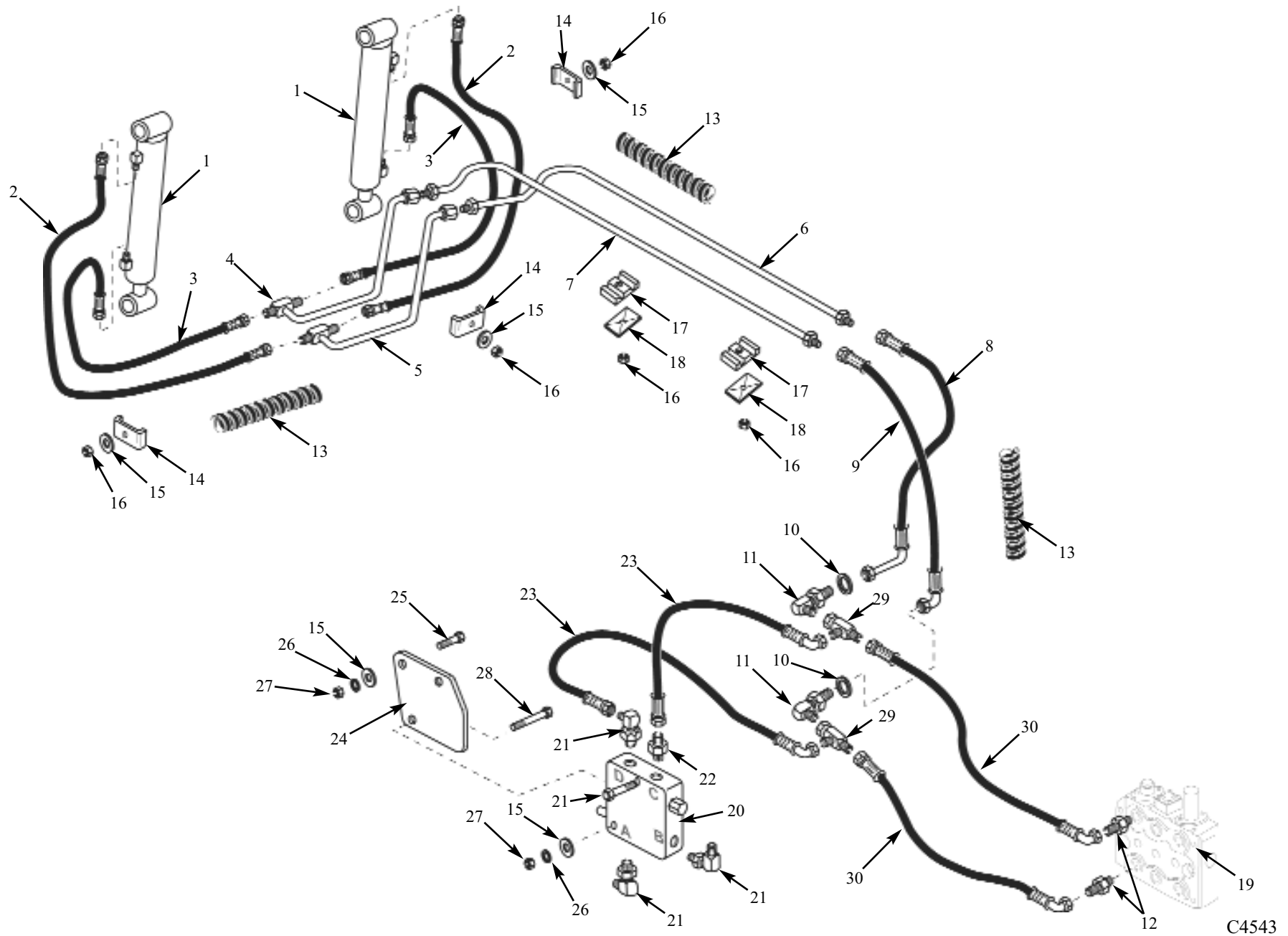
4.5(B)



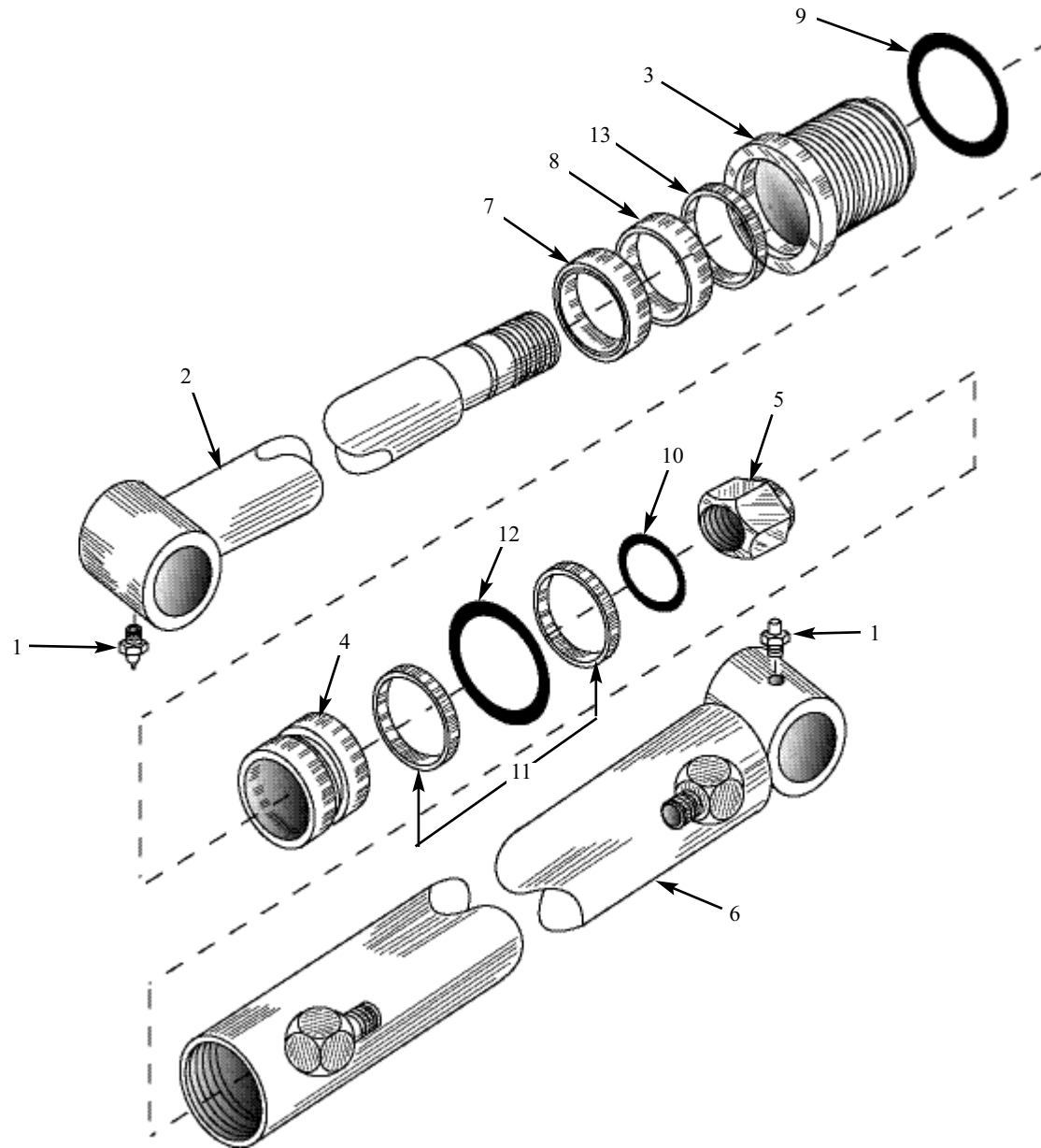
ITEM	PART No.	QTY.	DESCRIPTION
1.	042881SP	2	Cylinder
2.	962082SP	2	Hose, Hydraulic 3/8" x 29.1"
3.	962078SP	2	Hose, Hydraulic 3/8" x 27.1"
4.	043028SP	1	Tube, Hydraulic
5.	043027SP	1	Tube, Hydraulic
6.	043023SP	1	Tube, Hydraulic
7.	043024SP	1	Tube, Hydraulic
8.	962094SP	1	Hose, Hydraulic 3/8" x 20.3"
9.	962079SP	1	Hose, Hydraulic 3/8" x 21.0"
10.	043902SP	2	Washer, Lock Internal Tooth
11.	039042SP	2	Connector, Bulkhead 90°
12.	014868SP	2	Connector
13.	000415SP	A/R	Tube, Heli 3/4 x 3/4P Black
14.	007078SP	3	Clamp, Hydraulic Tube 1.875"
15.	001651SP	3	Washer, Flat 5/16"
16.	016771SP	5	Nut, Nylok, Hex 5/16"
17.	038302SP	2	Clamp, Tube Twin 1/2"
18.	038472SP	2	Plate, Cover Twin
19.	044257SP	1	Valve, Assy. (Solenoid Auxiliary)
20.	962708SP	2	Hose, Hydraulic 3/8" x 15"

BUCKET TILT CIRCUIT (S/N LC001171 onward - w/ Self Level Valve)

4.5(C)



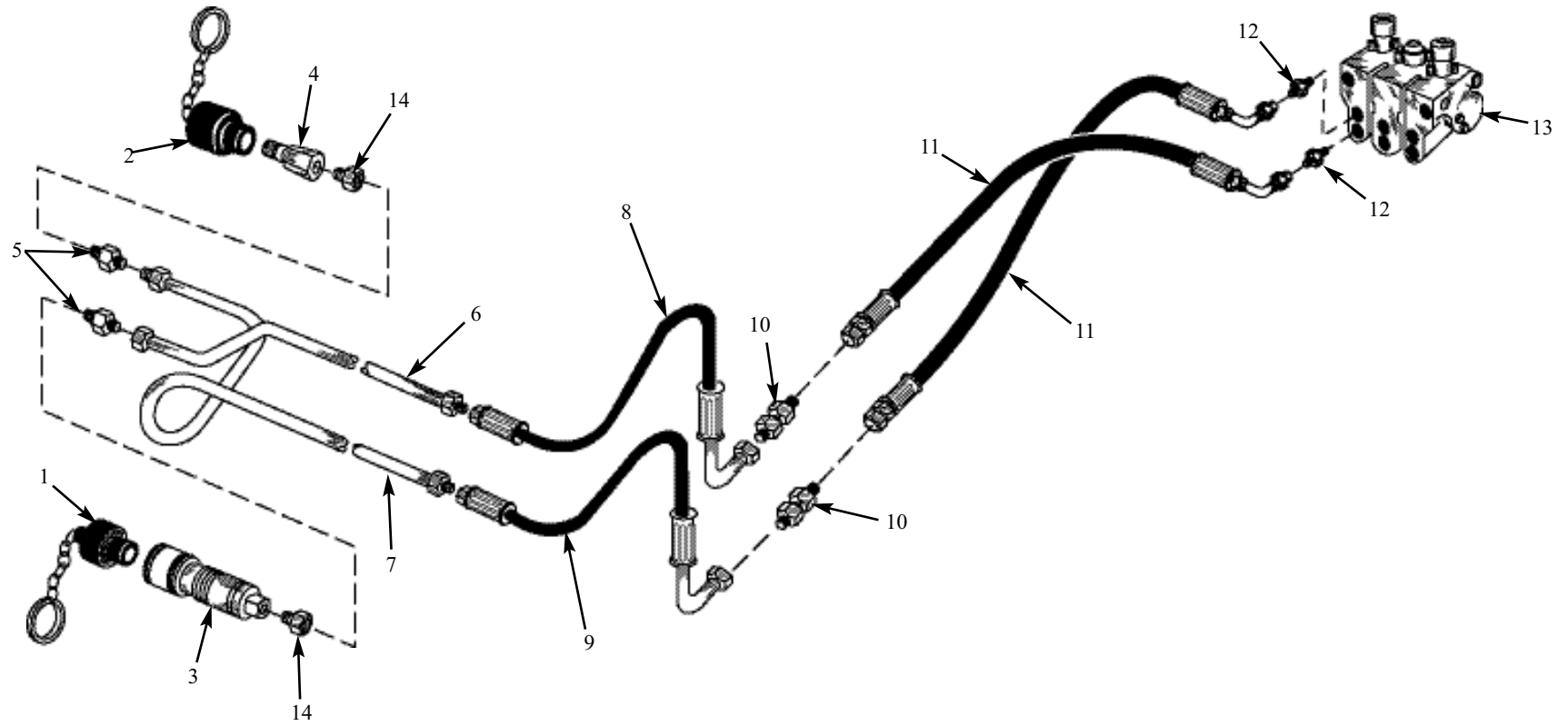
ITEM	PART No.	QTY.	DESCRIPTION
1.	042881SP	2	Cylinder
2.	962082SP	2	Hose, Hydraulic 3/8" x 29.1"
3.	962078SP	4	Hose, Hydraulic 3/8" x 27.1"
4.	043028SP	1	Tube, Hydraulic
5.	043027SP	1	Tube, Hydraulic
6.	043023SP	1	Tube, Hydraulic
7.	043024SP	1	Tube, Hydraulic
8.	962094SP	1	Hose, Hydraulic 3/8" x 20.3"
9.	962079SP	1	Hose, Hydraulic 3/8" x 21.0"
10.	043902SP	2	Washer, Lock Internal Tooth
11.	039042SP	2	Connector, Bulkhead 90°
12.	014868SP	2	Connector
13.	000415SP	A/R	Tube, Heli 3/4 x 3/4P Black
14.	007078SP	3	Clamp, Hydraulic Tube 1.875"
15.	017439SP	5	Washer, Flat 5/16"
16.	016771SP	5	Nut, Nylok, Hex 5/16"
17.	038302SP	2	Clamp, Tube Twin 1/2"
18.	038472SP	2	Plate, Cover Twin
19.	044257SP	1	Valve, Assy. (Solenoid Auxiliary)
20.	043487SP	1	Valve, Self Level Assy.
21.	020194SP	3	Elbow, 90°
22.	020182SP	1	Connector
23.	963268SP	2	Hose, Hydraulic 3/8" x 12"
24.	046090SP	1	Plate, Self Level Mount
25.	024625SP	1	Bolt, Hex 5/16" x 1 1/4"
26.	017441SP	2	Washer, Lock 5/16"
27.	001191SP	2	Nut, Hex 5/16"
28.	026105SP	1	Bolt, Hex 5/16" x 2 3/4"
29.	026641SP	2	Tee, Run
30.	962708SP	2	Hose, Hydraulic 3/8" x 15"
31.	001677SP	1	Bolt, Hex 5/16" x 2"



ITEM	PART No.	QTY.	DESCRIPTION
	042881SP	2	Complete Tilt Cylinder
1.	002010SP	4	Grease Fitting
2.	043441SP	1	Shaft
3.	043442SP	1	Cap, End
4.	029995SP	1	Piston
5.	023530SP	1	Nut
6.	043443SP	1	Body, Cylinder
*	043444SP	1	Kit, Seal (includes items 7-13)
7.	-	1	Seal Wiper
8.	-	1	Seal, Rod
9.	-	1	O - ring, End Cap
10.	-	1	O - ring
11.	-	1	Washer, Backup
12.	-	1	O - ring
13.	-	1	Wear Ring

AUXILIARY HYDRAULIC CIRCUIT (up to S/N LC001170)

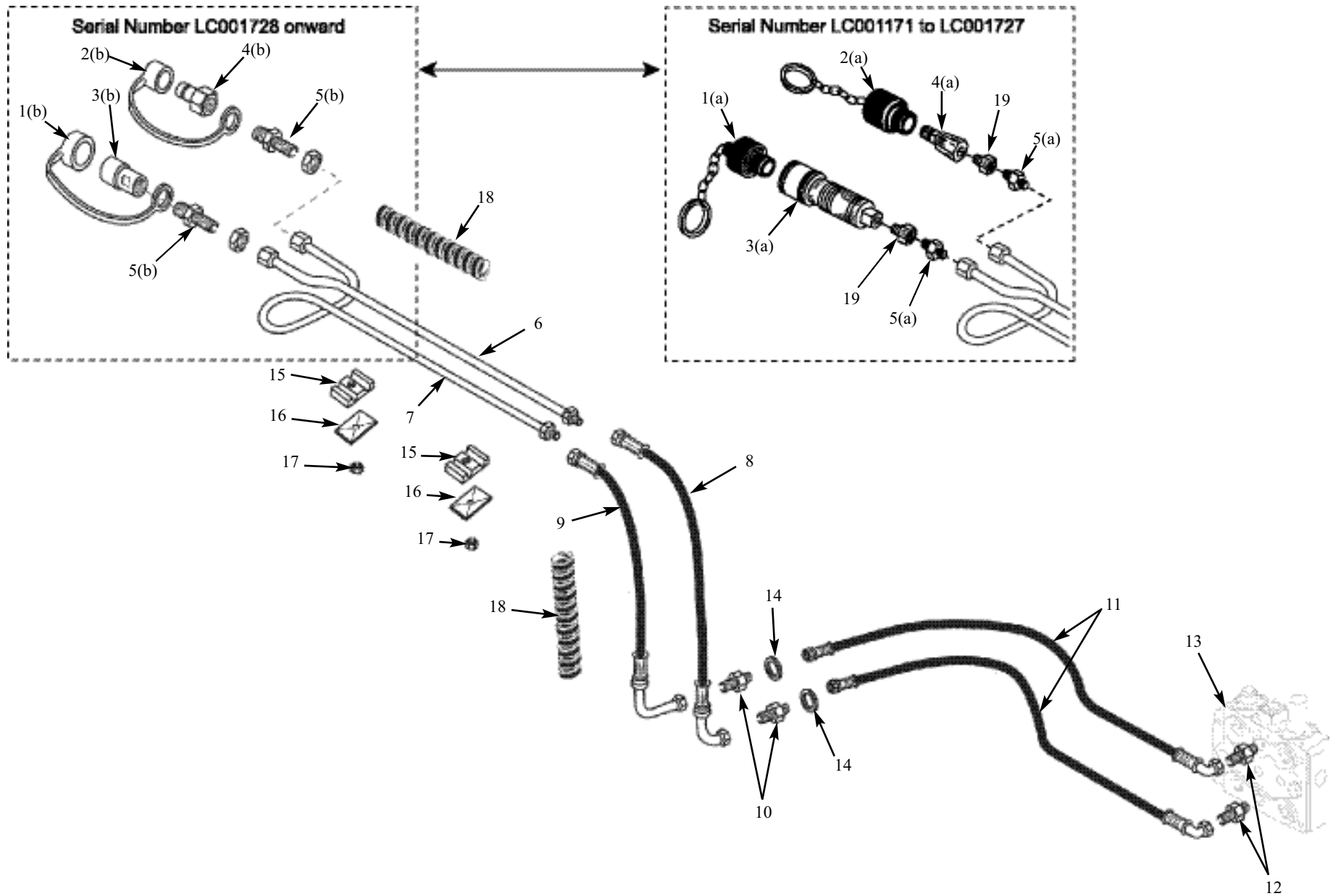
4.7(A)



ITEM	PART No.	QTY.	DESCRIPTION
1.	007124SP	1	Dust Plug, Female
2.	007667SP	1	Dust Plug, Male
3.	006608SP	1	Coupling, Female
4.	001803SP	1	Coupling, Male
5.	030323SP	2	Connector
6.	043026SP	1	Tube, Hydraulic, Inner
7.	043025SP	1	Tube, Hydraulic, Outer
8.	962079SP	1	Hose, Hydraulic
9.	962094SP	1	Hose, Hydraulic
10.	039041SP	2	Connector
11.	962705SP	2	Hose, Hydraulic
12.	019238SP	2	Connector (up to S/N LC001170)
13.	039536SP	1	Valve, Hydraulic w/Locks (up to S/N LC001170)
14.	015628SP	1	Reducer Bushing

AUXILIARY HYDRAULIC CIRCUIT (S/N LC001171 onward)

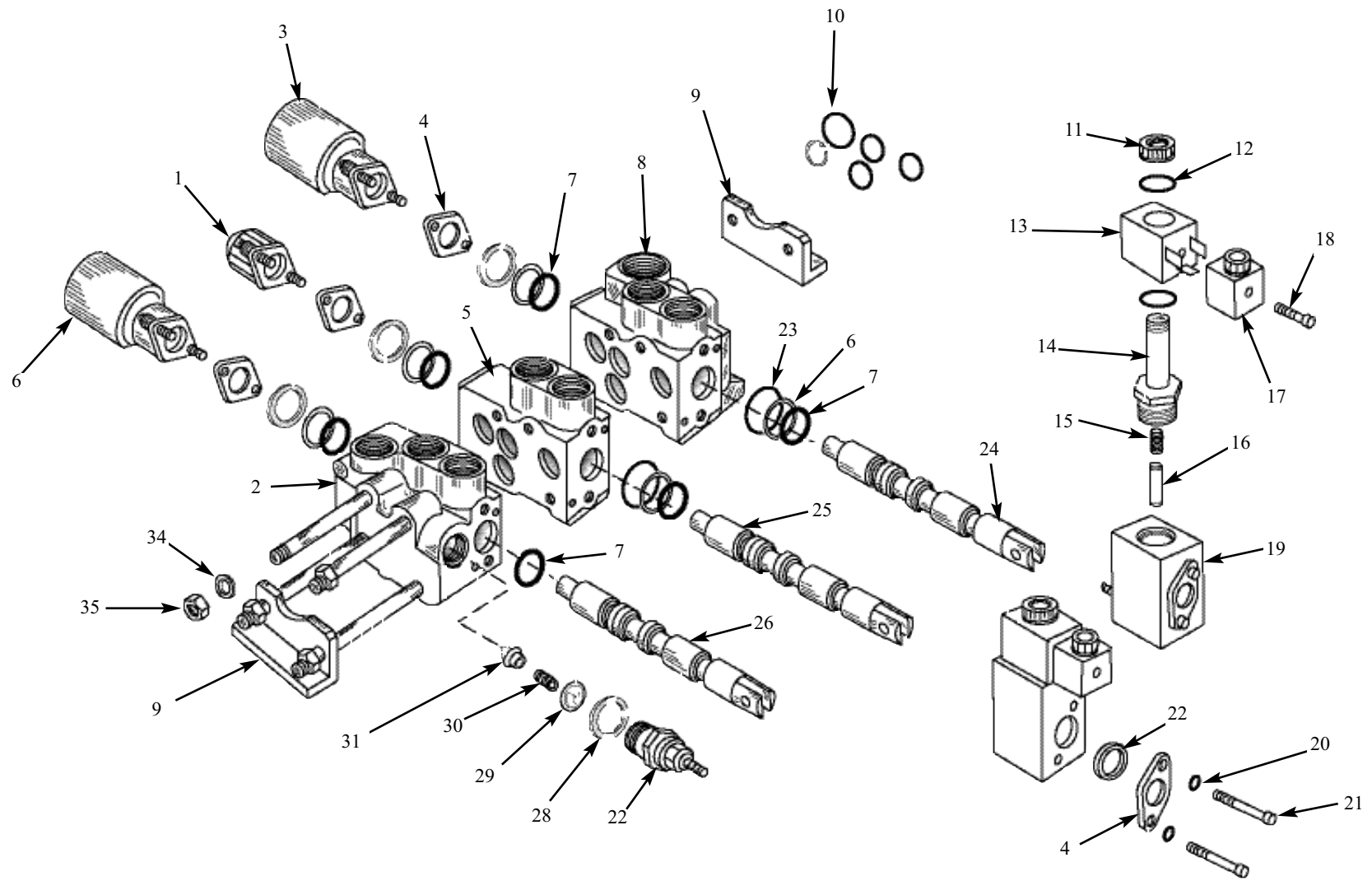
4.7(B)



ITEM	PART No.	QTY.	DESCRIPTION
1(a).	007124SP	1	Dust Plug, Female (up to S/N LC001727)
1(b).	048594SP	1	Dust Plug, Female (S/N LC001728 onward)
2(a).	007667SP	1	Dust Plug, Male (up to S/N LC001727)
2(b).	048595SP	1	Dust Plug, Male (S/N LC001728 onward)
3(a).	006608SP	1	Coupling, Female (up to S/N LC001727)
3(b).	048592SP	1	Coupling, Female, Flush Face (S/N LC001728 onward)
4(a).	001803SP	1	Coupling, Male (up to S/N LC001727)
4(b).	048593SP	1	Coupling, Male, Flush Face (S/N LC001728 onward)
5(a).	030323SP	2	Connector, Bulkhead (up to S/N LC001727)
5(b).	049030SP	2	Connector, Bulkhead (S/N LC001728 onward)
6.	043026SP	1	Tube, Hydraulic, Inner
7.	043025SP	1	Tube, Hydraulic, Outer
8.	962079SP	1	Hose, Hydraulic
9.	962094SP	1	Hose, Hydraulic
10.	039041SP	2	Connector
11.	962705SP	2	Hose, Hydraulic
12.	014868SP	2	Connector (S/N LC001171 onward)
13.	044257SP	1	Valve, Assy. (Solenoid Auxiliary) (S/N LC001171 onward)
14.	043902SP	2	Washer, Lock Internal Tooth
15.	038302SP	2	Clamp, Tube Twin 1/2"
16.	038472SP	2	Plate, Cover Twin
17.	016771SP	2	Nut, Nylok, Hex 5/16
18.	000415SP	A/R	Tube, Heli 3/4 x 3/4P Black
19.	015628SP	2	Reducer Bushing (up to S/N LC001727)

CONTROL VALVE (up to S/N LC001180)

4.8(A)



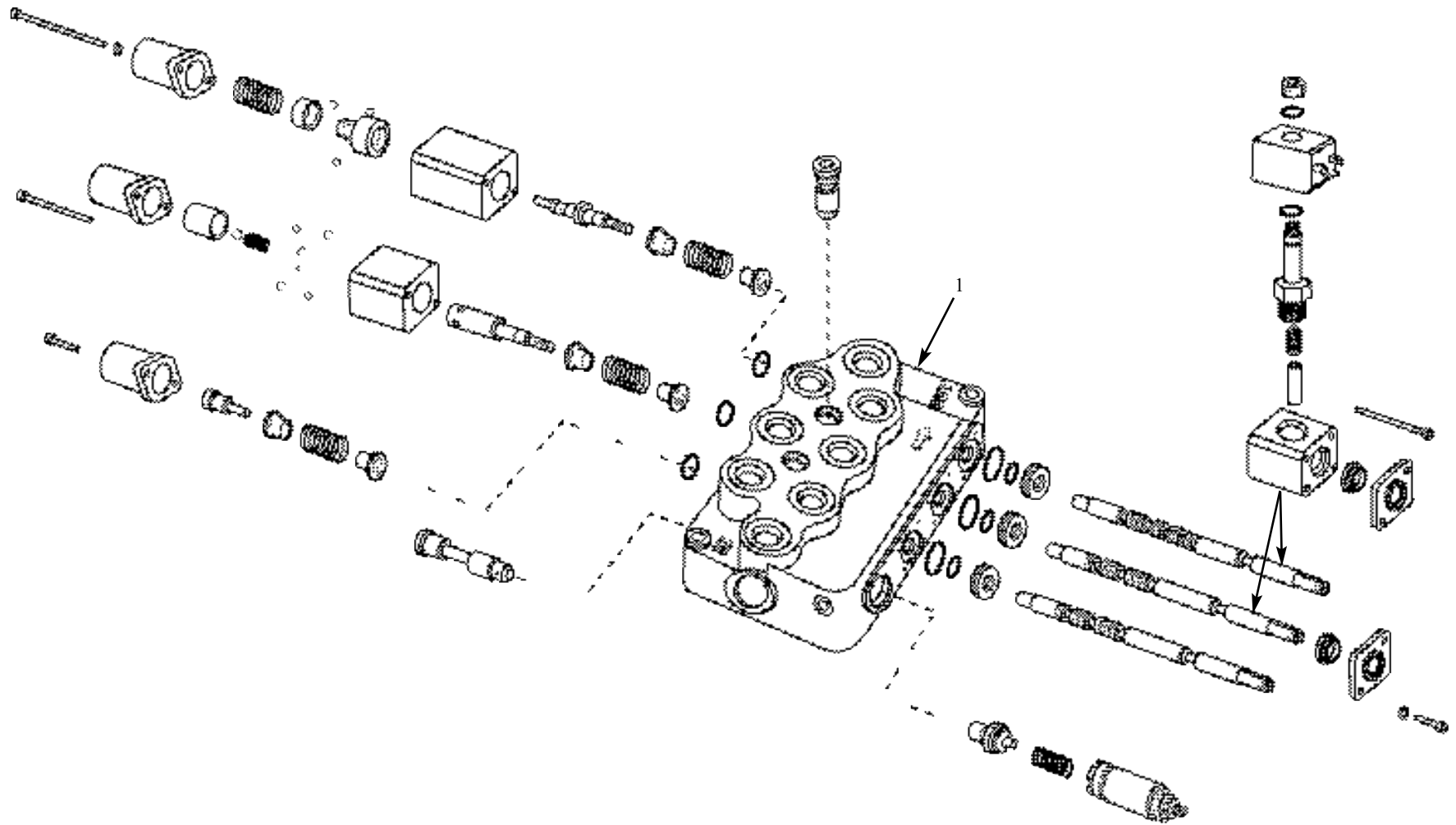
ITEM	PART No.	QTY.	DESCRIPTION
	*	1	Control Valve w/ Locks, 3-Section Valve (see note below)
1.	040127SP	1	Cap, Spring Kit
2.	040128SP	1	Section, Inlet
3.	040157SP	1	Cap. Detent Kit
4.	040155SP	1	O-ring Kit, Spool Aux.
5.	040144SP	1	Section, Aux.
6.	040129SP	1	Cap, Detent Lift Spool
7.	040130SP	1	Section, Lift Bare
8.	040131SP	2	Hanger
9.	040132SP	2	Section, O-ring Kit
10.	040133SP	2	O-ring Kit, Lift and Tilt
11.	040134SP	1	Spool, Lift with Float
12.	040135SP	2	O-ring Kit, Solenoid Locks
13.	040140SP	2	Lock Kit
14.	040139SP	1	Spool Aux
15.	038381SP	1	Section with Spool, Detent and Seal Kit (4,5,6,15)
16.	038614SP	2	Solenoids for Locks
17.	038615SP	2	Connector
18.	040138SP	1	Relief Valve
19.	038382SP	1	Bolt Kit
20.	038618 SP	2	Scraper
21.	038617SP	2	Shim
22.	038620SP	4	SHC Screw

* To order individual repair components, the parts listed above are still available.

* To order a complete Control Valve Assy, the previous part number has been superceded by:
964503 - Valve Assy, Manual Auxiliary

CONTROL VALVE - MANUAL AUXILIARY (S/N LC001181 onward)

4.8(B)



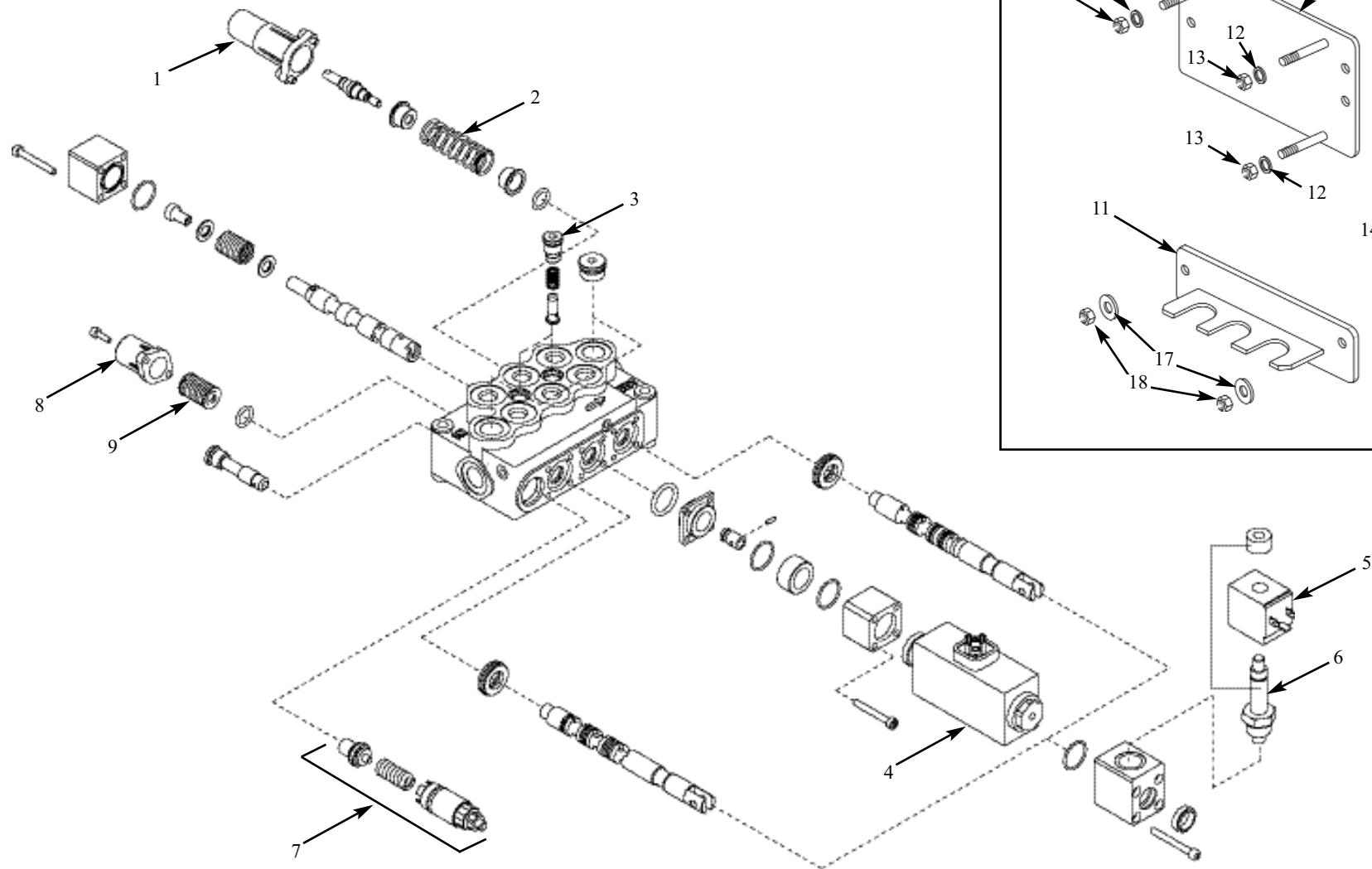
ITEM	PART No.	QTY.	DESCRIPTION
1.	044243SP	1	Valve, Hydraulic Assy w/Locks (S/N LC001181 onward)

CONTROL VALVE - MANUAL AUXILIARY (S/N LC001181 onward)

4.8(B)

CONTROL VALVE - ELECTRIC AUXILIARY (S/N LC001181 onward)

4.8(C)



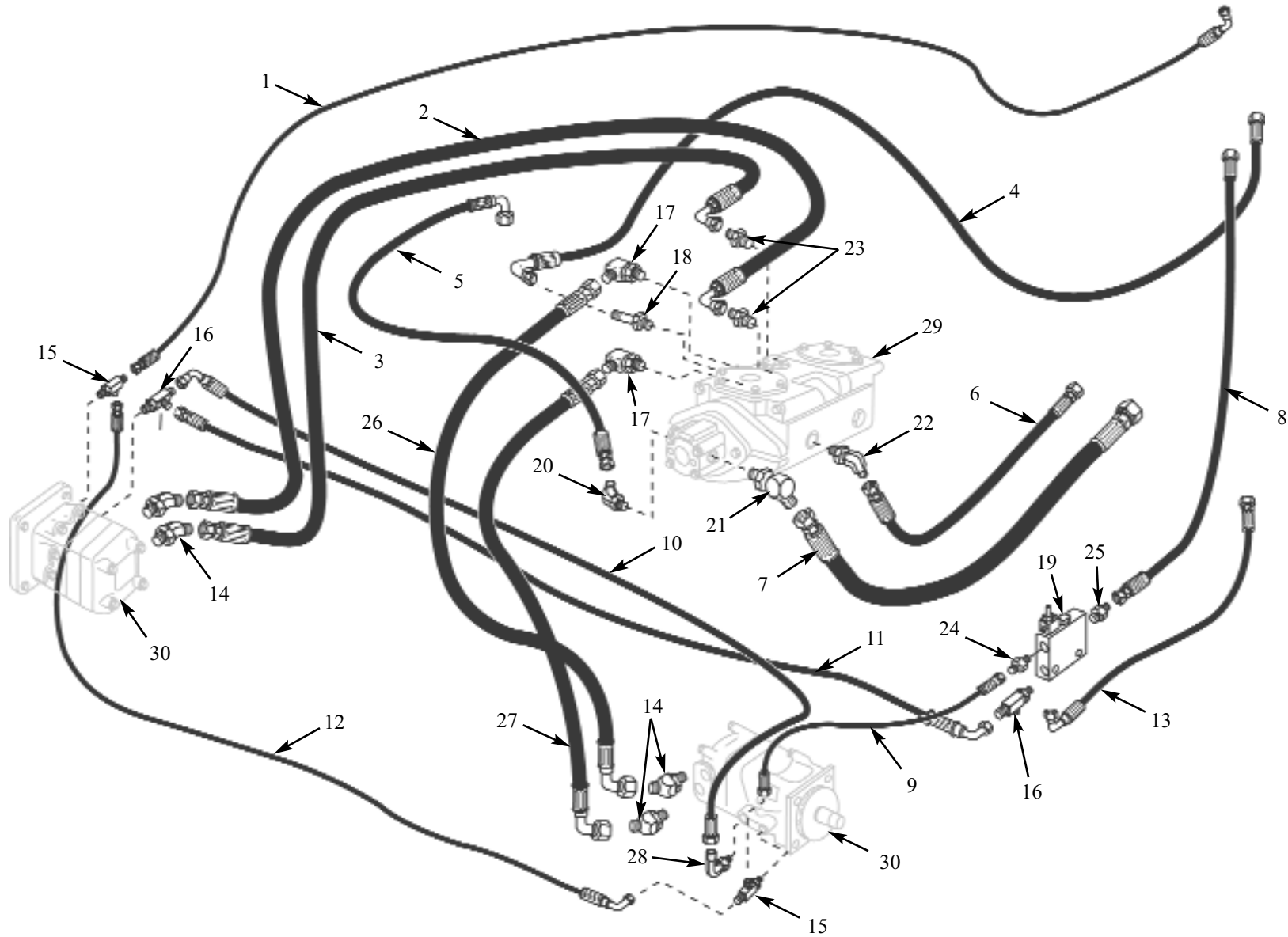
C4537

C4541

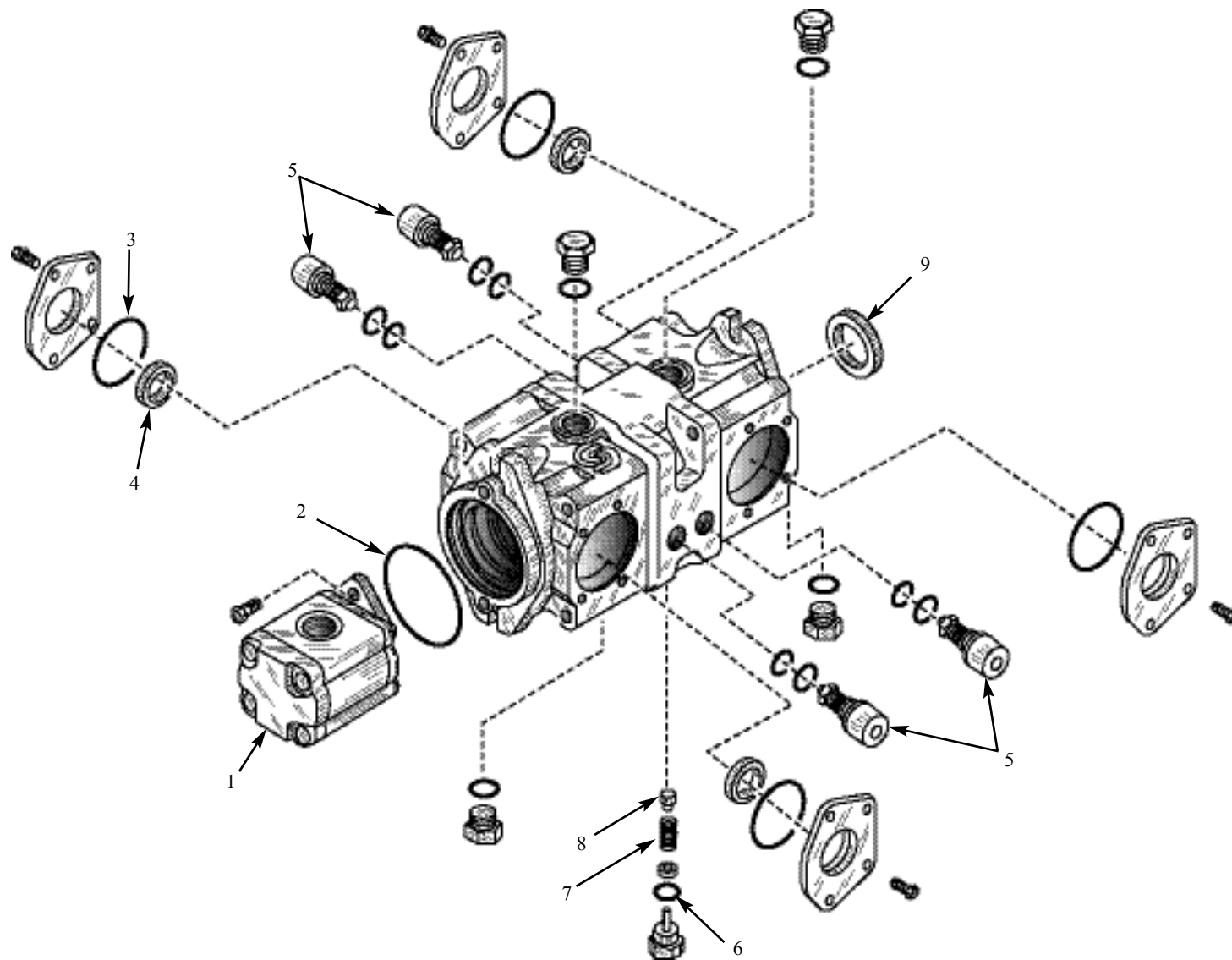
ITEM	PART No.	QTY.	DESCRIPTION
	044257SP	1	Valve Assy, Solenoid Auxiliary
1.	052080SP	1	End Cap, Lift Spool
2.	052079SP	1	Spring, Lift Spool
3.	052078SP	1	Check Valve Complete
4.	052077SP	1	Solenoid Assy.
5.	049083SP	1	Coil, Solenoid Lock Assy.
6.	052076SP	1	Spool Lock Assy.
7.	052075SP	1	Relief Valve Complete
8.	052074SP	1	End Cap, Tilt Spool
9.	052073SP	1	Spring, Tilt Spool
10.	965238SP	1	Valve Mount Assy
11.	962697SP	1	Cable Bracket Assy (3 Cable)
12.	045461SP	3	Washer, Flat 1/4"
13.	006645SP	3	Nut, Nylok 1/4"
14.	044519SP	4	Bolt, Hex 5/16 x 5/8"
15.	001870SP	4	Washer, Lock 5/16"
16.	001650SP	4	Washer, Flat 1/4"
17.	001651SP	2	Washer, Flat 5/16"
18.	016771SP	2	Nut, Nylok Hex 5/16"
*	052083SP	1	Seal Kit, Complete

5. HYDROSTATIC DRIVE SYSTEM

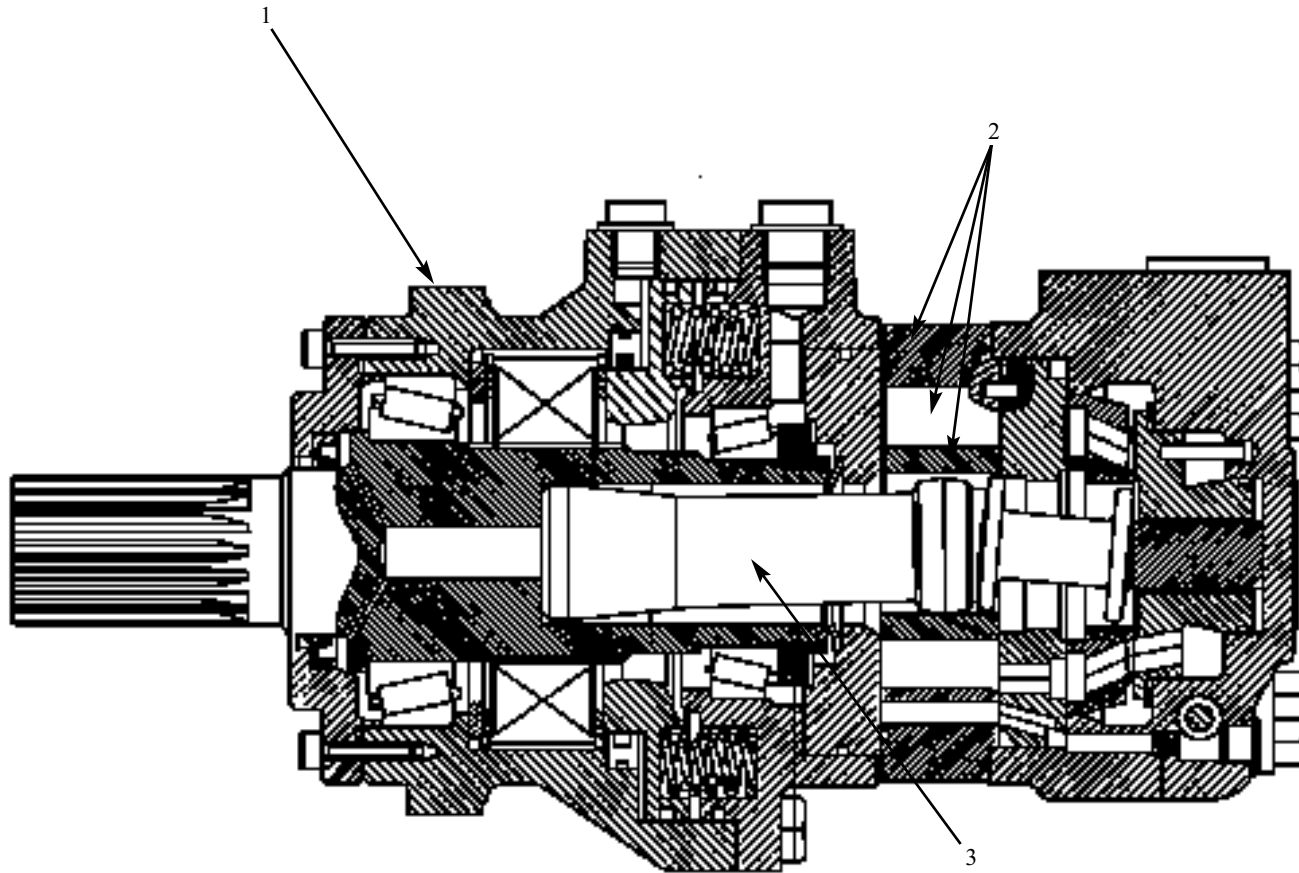
Hydrostatic Drive Circuit.....	5.1
Hydrostatic Pump	5.2
Torque Motor.....	5.3
Brake Valve.....	5.4



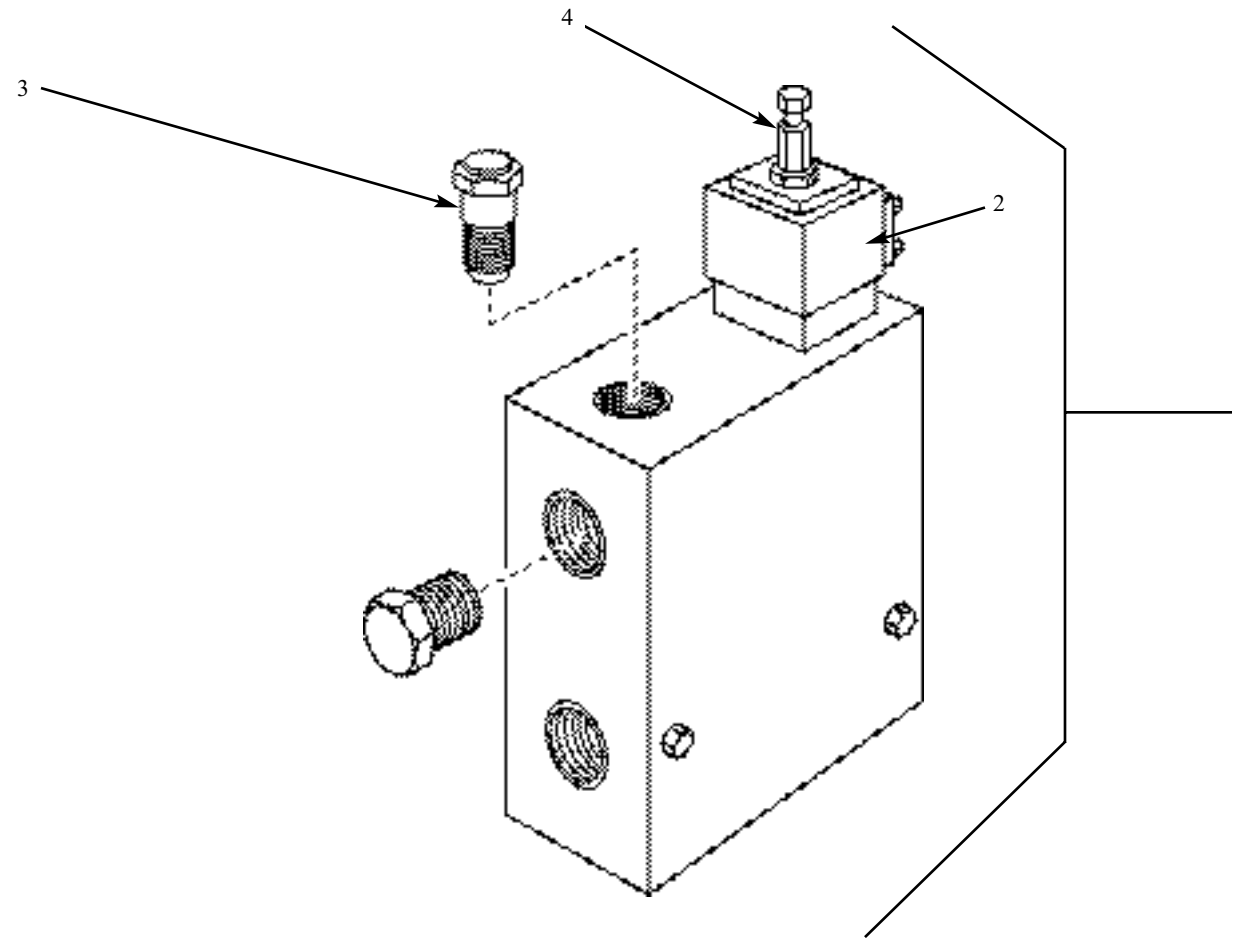
ITEM	PART No.	QTY.	DESCRIPTION
1.	962071SP	1	Hose, Hydraulic 1/4" x 62.3"
2.	962067SP	1	Hose, Hydraulic 3/4" x 46.1"
3.	962068SP	1	Hose, Hydraulic 3/4" X 42.1"
4.	962064SP	1	Hose, Hydraulic 1/2" X 69.5"
5.	962061SP	1	Hose, Hydraulic 5/8" x 53.4" (up to S/N LC001180)
	962709SP	1	Hose, Hydraulic 5/8" x 53.4" (S/N LC001181 onward)
6.	962065SP	1	Hose, Hydraulic 5/8" x 39.1"
7.	962060SP	1	Hose, Hydraulic 1" x 35.6"
8.	962063SP	1	Hose, Hydraulic 1/2" x 48.0"
9.	962069SP	1	Hose, Hydraulic 1/4" x 16.7"
10.	962072SP	1	Hose, Hydraulic 3/8" x 31.9"
11.	962073SP	1	Hose, Hydraulic 3/8" x 14.7"
12.	962070SP	1	Hose, Hydraulic 1/4" x 24.3"
13.	962074SP	1	Hose, Hydraulic 3/8" x 39.7"
14.	036430SP	4	Elbow, 90°
15.	043147SP	2	Tee, Run
16.	043146SP	2	Tee, Run
17.	026834SP	2	Elbow, 90°
18.	038749SP	1	Connector
19.	042736SP	1	Valve, Cartridge, 3 Way w/Check (up to S/N LC001677)
	048569SP	1	Valve, Cartridge, 3 Way w/Check (S/N LC001678 onward)
20.	021118SP	1	Elbow, 45°
21.	014866SP	1	Elbow, 90°
22.	019232SP	1	Elbow, 90°
23.	019233SP	2	Connector
24.	019240SP	1	Connector
25.	014868SP	1	Connector
26.	962066SP	1	Hose, Hydraulic 3/4" x 24.1"
27.	962095SP	1	Hose, Hydraulic 3/4" x 23.1"
28.	036713SP	1	Elbow, 90°
29.	042706SP	1	Pump, Hyd. Tandem Assy.
30.	042623SP	2	Torque Motor, Hyd. Assy.



ITEM	PART No.	QTY.	DESCRIPTION
	042706SP	1	Tandem Pump Assy, Complete
1.	043494SP	1	Gear Pump
2.	043493SP	1	O-ring
3.	043167SP	4	O-ring, Swashplate
4.	043168SP	2	Seal, Swashplate
5.	043492SP	4	Relief Valve Assy .250 Bar (up to S/N LC001310)
	044926SP	4	Relief Valve Assy .210 Bar (S/N LC001311 onward)
6.	043166SP	1	O-ring, Charge Relief Valve
7.	043164SP	1	Spring, Charge Relief Valve
8.	043489SP	1	Poppet Valve, Charge Relief Valve
9.	043490SP	1	Seal, Input



ITEM	PART No.	QTY.	DESCRIPTION
1.	042623SP	1	Torque Motor
2.	043339SP	1	Geroler
3.	043340SP	1	Drive Shaft
*	043338SP	1	Seal Kit (not shown)



Up to S/N LC001677:

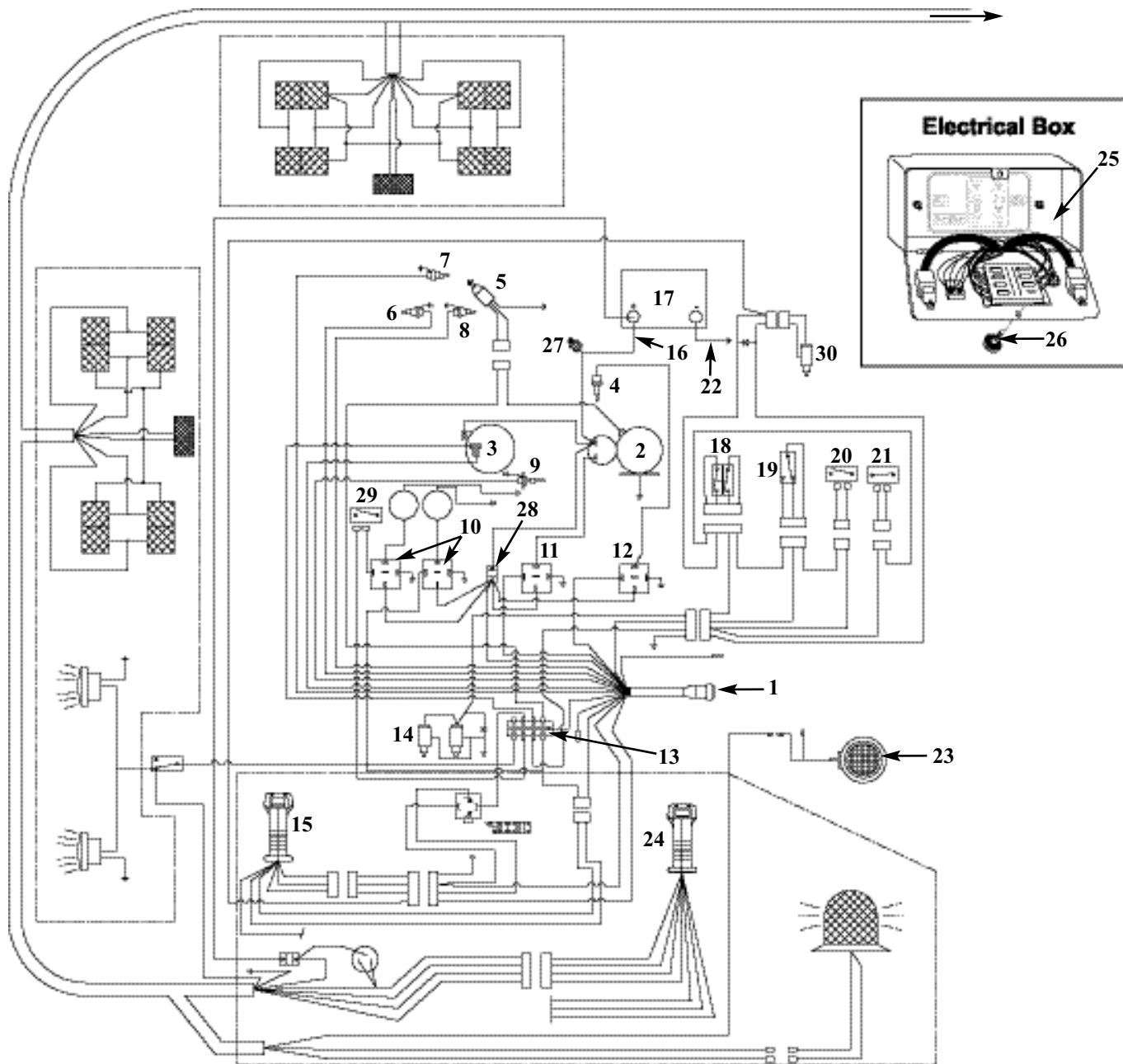
ITEM	PART No.	QTY.	DESCRIPTION
1.	042736SP	1	Brake Valve, 3 Way
2.	043530SP	1	Coil
3.	043528SP	1	Check Valve
4.	043529SP	1	Cartridge

S/N LC001678 Onward:

ITEM	PART No.	QTY.	DESCRIPTION
1.	048569SP	1	Brake Valve, 3 Way
2.	048572SP	1	Coil
3.	048570SP	1	Check Valve
4.	048571SP	1	Cartridge

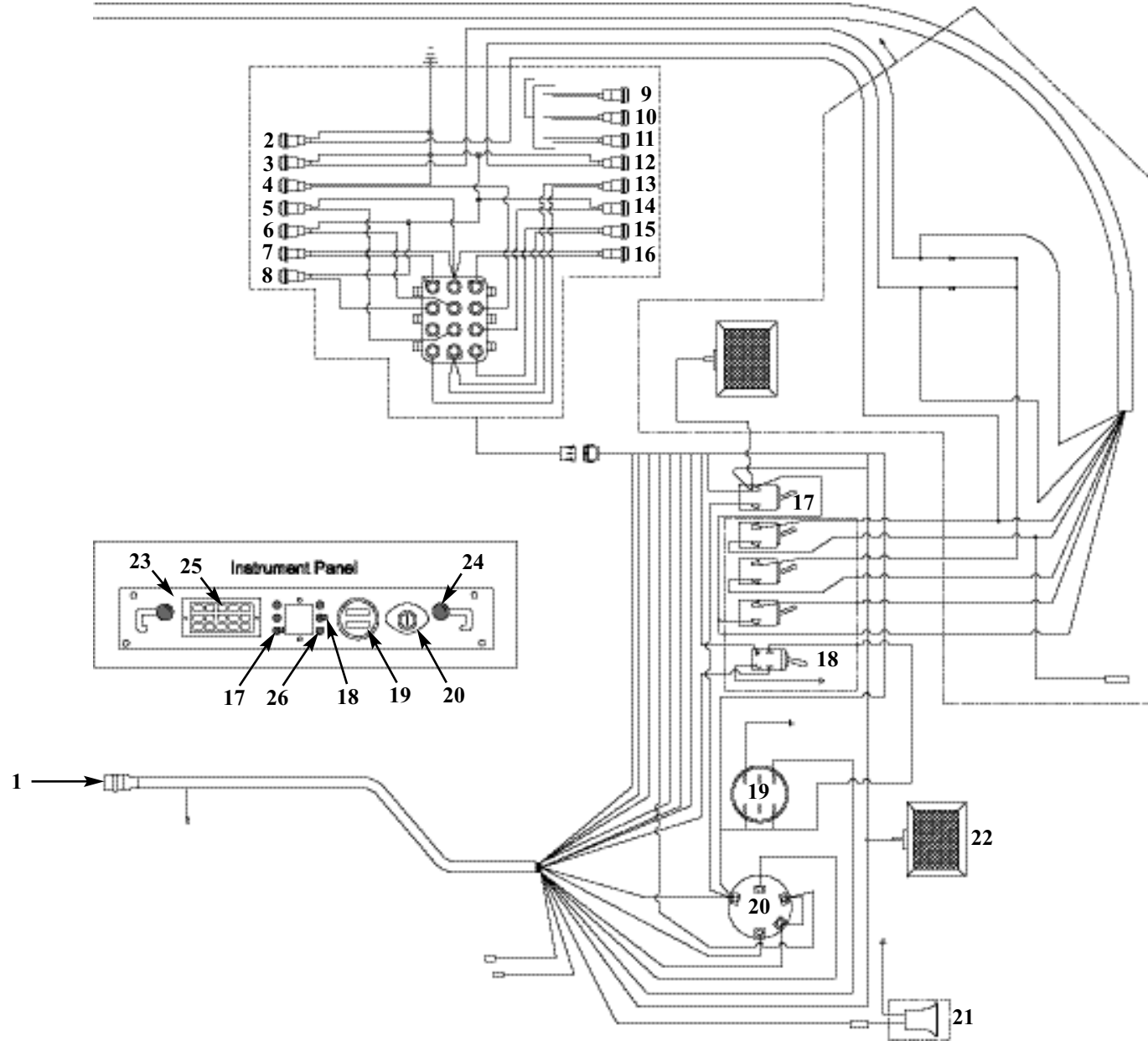
6. ELECTRICAL SYSTEM

Electrical Schematic, Engine 6.1
Electrical Schematic, ROPS 6.2



ITEM	PART No.	QTY.	DESCRIPTION
1.	043373SP	1	Harness, Wire Engine
2.	043351SP	1	Starter Assy, V1305
3.	039185SP	1	Alternator, Self Regulating, 40 Amp
4.	052123SP	4	Glow Plug
5.	049618SP	1	Solenoid, Stop {if you are replacing an older stop solenoid, the wire harness adaptor (#48397) must be used}
*	048397SP	1	Harness, Wire Adaptor
6.	037206SP	1	Switch, Temperature Sender (Engine Temperature)
7.	037206SP	1	Switch, Temperature Sender (Hydraulic Temperature)
8.	018724SP	1	Switch, Oil Sender (Oil Pressure)
9.	042929SP	1	Sender, Fuel Level
10.	039840SP	2	Relay, 12V 40A SPDT Form C c/w Bracket (Fan Relay)
11.	039840SP	1	Relay, 12V 40A SPDT Form C c/w Bracket (Starter Relay)
12.	039840SP	1	Relay, 12V 40A SPDT Form C c/w Bracket (Glow Plug Relay)
13.	039540SP	1	Panel, Fuse & Circuit Breaker
*	039121SP	A/R	Fuse, Automotive, 15 Amp (5 per pack)
*	039122SP	A/R	Fuse, Automotive, 10 Amp (5 per pack)
14.	***	1	Valve Locks (See Section 4.8)
15.	044182SP	1	Handle, Ergonomic w/ Rocker & 2PB Switches
16.	039873SP	1	Cable, Positive Boosting Lug
17.	038870SP	1	Battery, 12 Volt Dual Post 550 CCA
18.	042950SP	1	Switch, Dual c/w Bracket
19.	***	1	Switch, Seat Belt (See Sections 1.8 & 8.9)
20.	038516SP	1	Switch, Seat
21.	042951SP	1	Switch, Contact Body Assy. (Optional - See Section 8.20)
22.	022812SP	1	Cable, Ground 12"
23.	029971SP	1	Rear Work Light
24.	044181SP	1	Handle, Ergonomic Plain
25.	961693SP	1	Box, Electrical Assy.
26.	042070SP	1	Knob, Black w/ Stud
27.	037104SP	1	Lug, External Boosting
28.	021927SP	1	Breaker, Circuit 40 Amp
29.	044187SP	1	Switch, Temperature (Fan Switch - S/N LC001171 onward)
	962228SP	1	Switch, Temperature Assembly (Fan Switch - up to S/N LC001170)
30.	***	1	Brake Valve (See Section 5.4)
*	043081SP	1	Harness, Mainframe

* Item not shown.

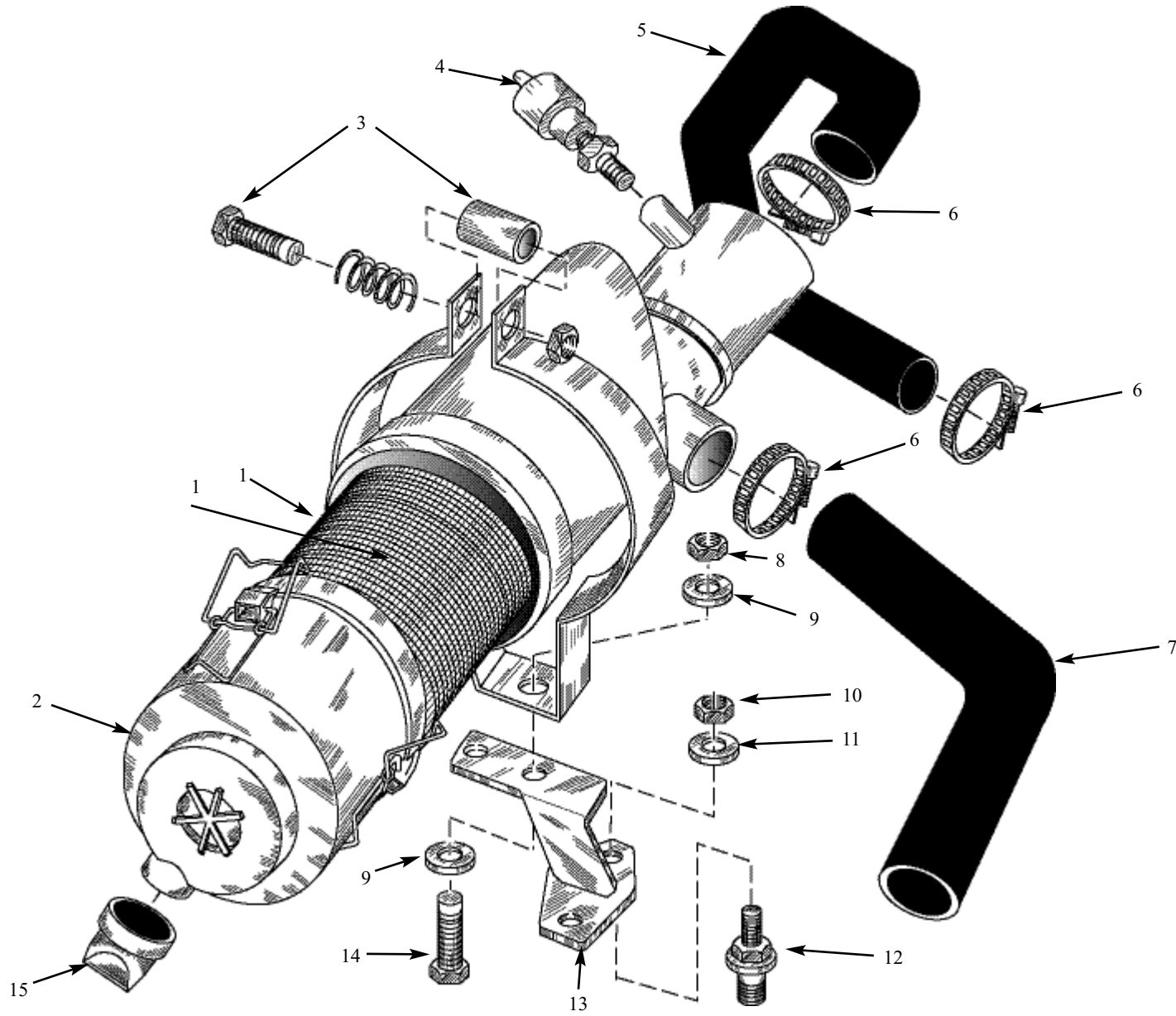


ITEM	PART No.	QTY.	DESCRIPTION
1.	039865SP	1	Harness, ROPS Wire
2.	039972SP	1	Indicator Light, Rotating Beacon
3.	039972SP	1	Indicator Light, LH Signal
4.	039972SP	1	Indicator Light, Seat Belt
5.	039972SP	1	Indicator Light, Brakes
6.	039972SP	1	Indicator Light, Auxiliary Hydraulics
7.	039972SP	1	Indicator Light, Hydraulic Oil Temperature
8.	039972SP	1	Indicator Light, Front Lights
9.	039972SP	1	Indicator Light, Hi-Flow
10.	039972SP	1	Indicator Light, Air Filter
11.	039972SP	1	Indicator Light, Charge Pressure
12.	039972SP	1	Indicator Light, RH Signal
13.	039972SP	1	Indicator Light, Alternator
14.	039972SP	1	Indicator Light, Preheat
15.	039972SP	1	Indicator Light, Engine Oil Pressure
16.	039972SP	1	Indicator Light, Engine Water Temperature
17.	039123SP	1	Switch, Toggle SPST (Lights)
18.	039124SP	1	Switch, Toggle DPST (Auxiliary Hydraulics)
19.	046671SP	1	Hourmeter / Fuel Gauge (S/N LC001523 onward)
	038761SP	1	Hourmeter (up to S/N LC001522)
	038577SP	1	Fuel Gauge (up to S/N LC001522)
20.	019605SP	1	Switch, Ignition
*	018683SP	1	Key, Ignition
*	041427SP	1	Thomas Keychain
21.	040918SP	1	Horn (Optional - See Section 8.7)
22.	047468SP	1	Lamp, Halogen Assy. (S/N LC001602 onward)
	041607SP	1	Lamp, Front Rectangular, Halogen (up to S/N LC001601)
23.	964612SP	1	Instrument Panel (S/N LC001690 onward)
	046454SP	1	Instrument Panel (S/N LC001523 to S/N LC001689)
	042948SP	1	Instrument Panel (up to S/N LC001522)
24.	039546SP	2	Knob, Tapered Red (S/N LC001523 onward)
	025175SP	2	Knob (up to S/N LC001522)
25.	049068SP	1	Panel, Indicator Display (S/N LC001690 onward)
	042920SP	1	Panel, Indicator Lights (up to S/N LC001689)
26.	039126SP	5	Plug, Buttonhole 1/2" Black Plastic
*	042433SP	1	Clamp, Cable #8
*	042434SP	3	Clamp, Cable #10
*	042435SP	2	Clamp, Cable #12
*	042442SP	3	Clamp, Cable #18

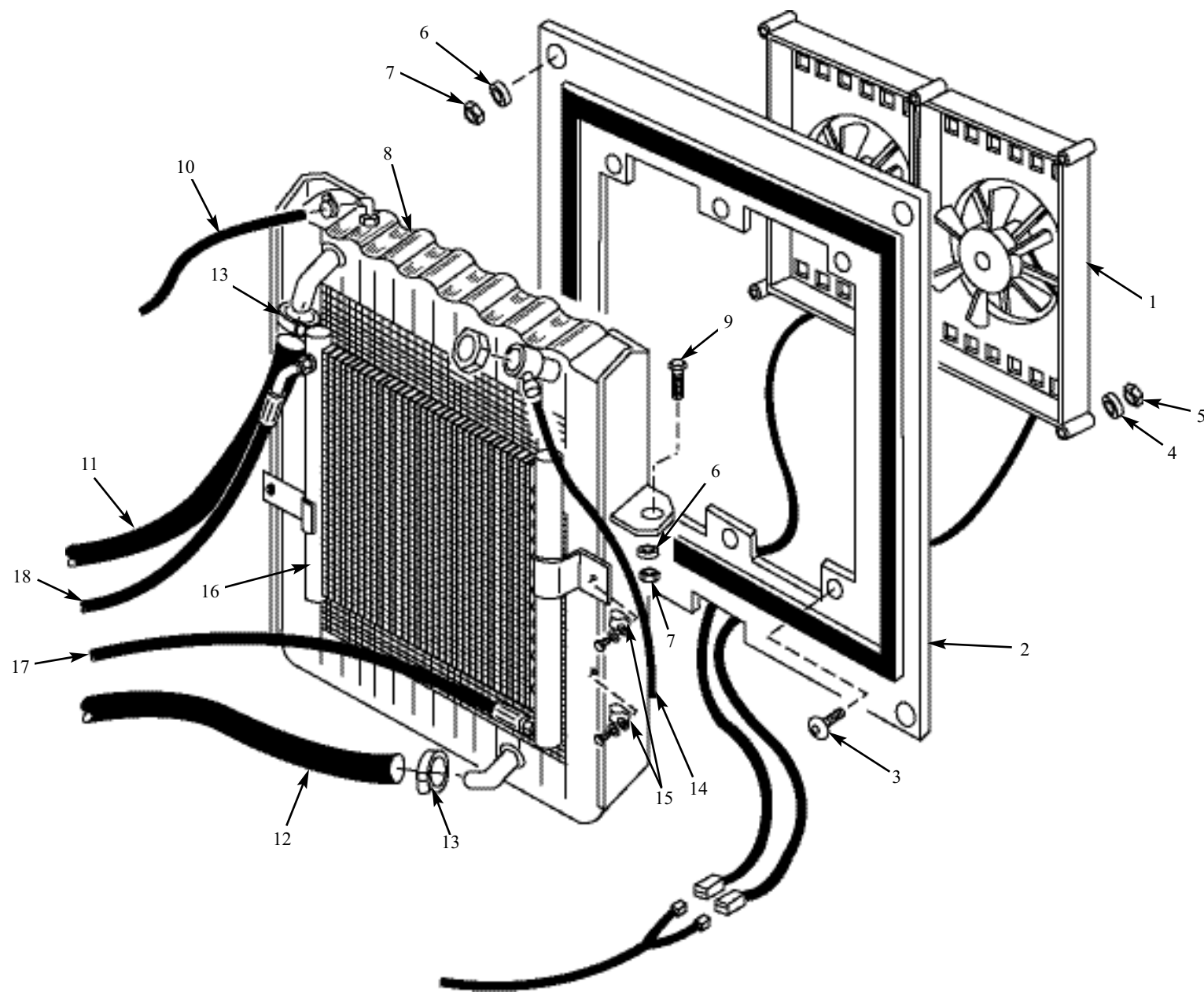
* Item not shown.

7. ENGINE

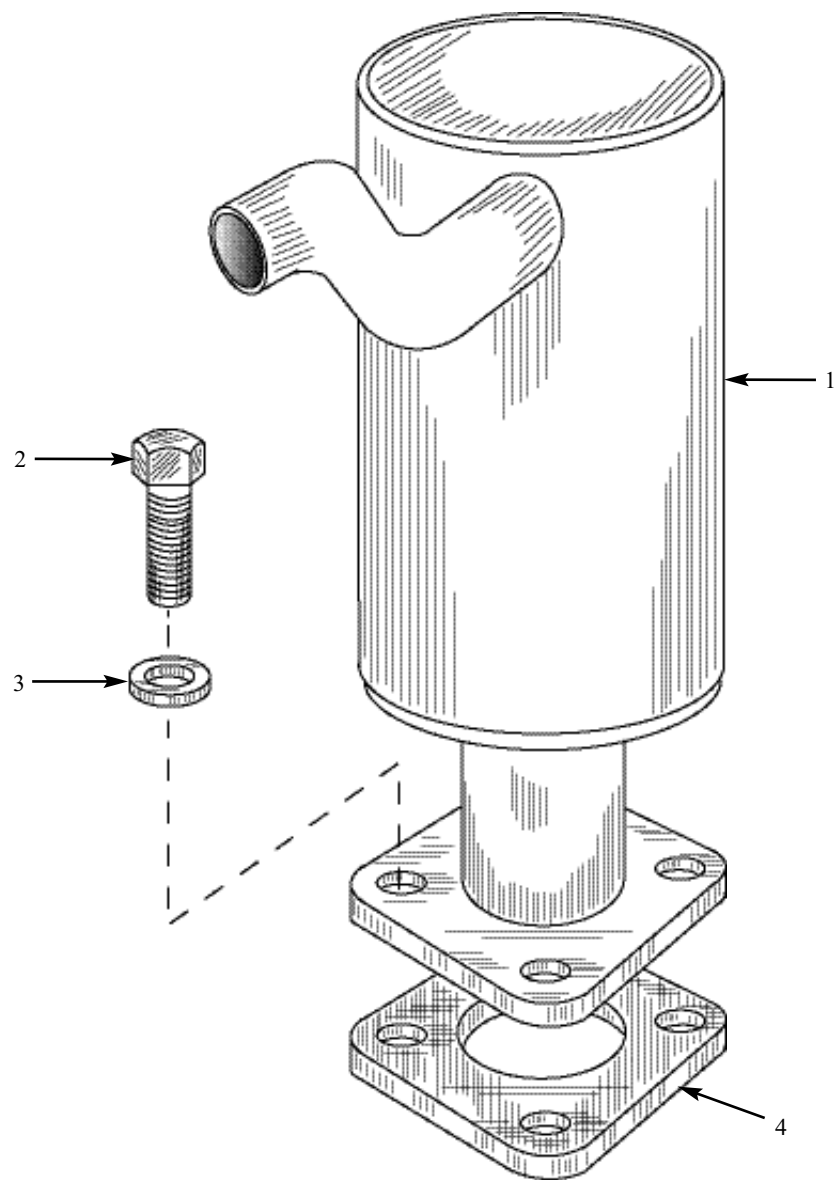
Air Cleaner	7.1
Fan / Radiator / Oil Cooler	7.2
Exhaust System.....	7.3
Engine Mounts	7.4
Engine Accessories	7.5



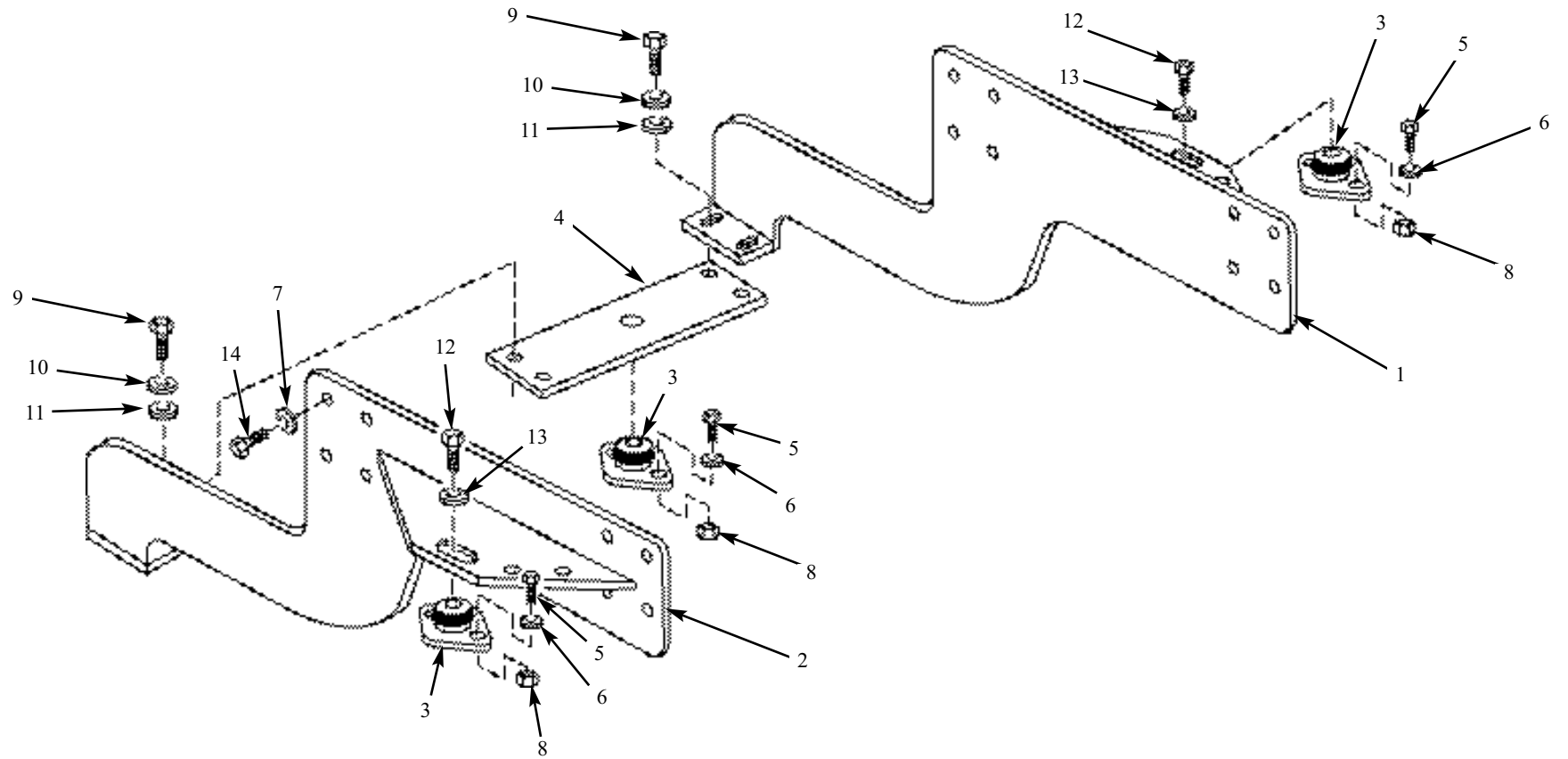
ITEM	PART No.	QTY.	DESCRIPTION
	049478SP	1	Air Cleaner Assy. (Includes items 1, 2, 3 & 16)
1.	043333SP	1	Element, Primary Filter
2.	043413SP	1	Cover Assembly
3.	043412SP	1	Band, Mounting
4.	006270SP	1	Indicator, Service
5.	042927SP	1	Hose, Molded Air Intake
6.	006268SP	3	Clamp, Hose
7.	043003SP	1	Hose, Air Inlet
8.	016771SP	2	Nut, Nylock
9.	001650SP	2	Washer, Flat
10.	038420SP	2	Nut, Hex
11.	021028SP	2	Washer, Lock
12.	043411SP	2	Stud, Engine Air Cleaner Mount
13.	962045SP	1	Air Cleaner Support Assy
14.	006081SP	2	Bolt, Hex
15.	042421SP	1	Vacuator Valve
16.	049477SP	1	Filter, Safety (not shown - is located inside primary filter)



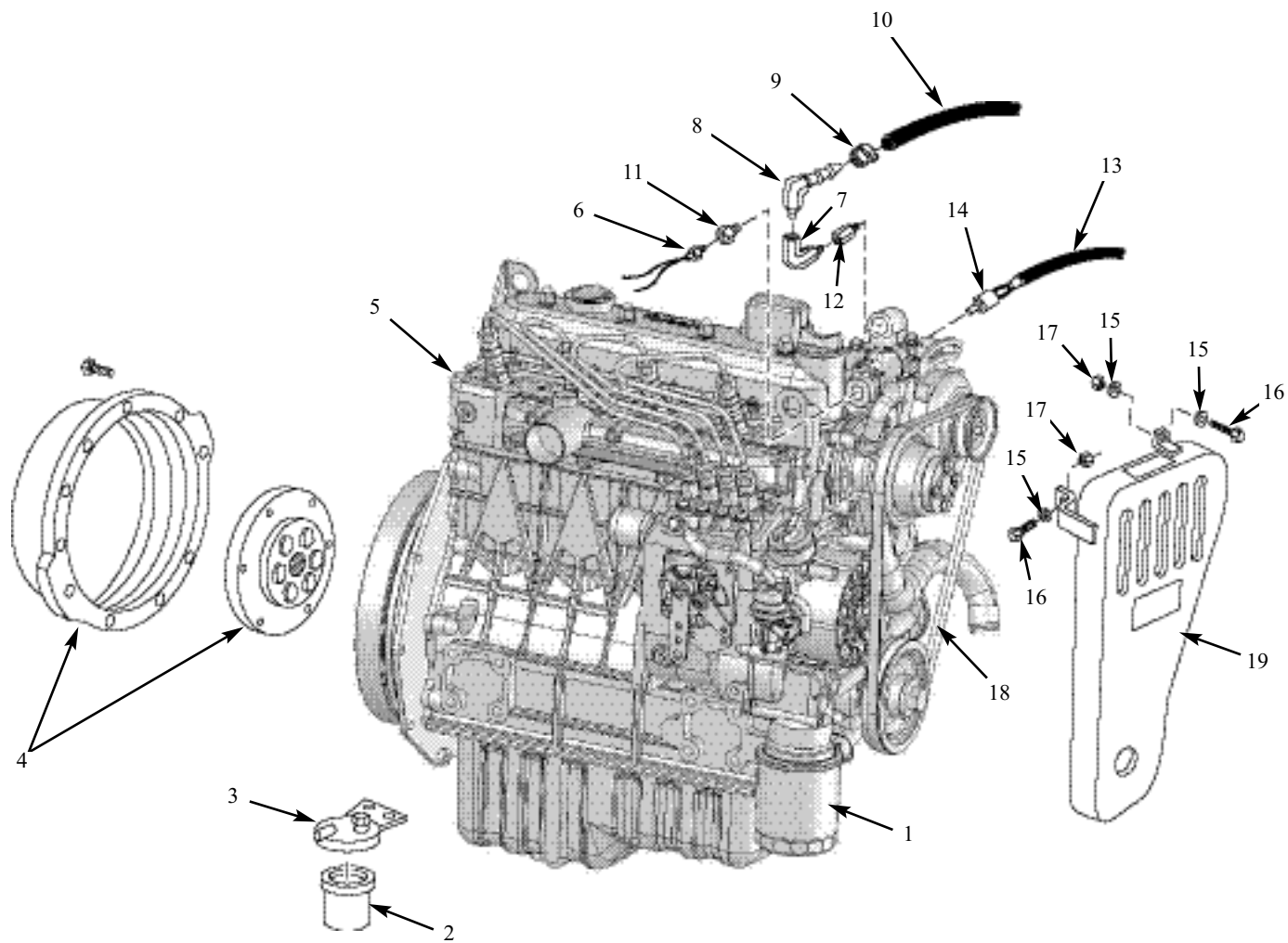
ITEM	PART No.	QTY.	DESCRIPTION
1.	042734SP	1	Fan, Electric Double
2.	961984SP	1	Rad Baffle Assy.
3.	001620SP	6	Bolt, Carriage 1/4 x 1 1/4"
4.	001650SP	6	Washer, Flat 1/4"
5.	006645SP	6	Nut, Nylok 1/4"
6.	001651SP	4	Washer, Flat 5/16"
7.	016771SP	4	Nut, Nylok Hex 5/16"
8.	042666SP	1	Radiator
9.	001190SP	3	Bolt, Hex 5/16 x 1"
10.	000261SP	A/R	Hose
11.	000814SP	A/R	Hose, Hydraulic
12.	000814SP	A/R	Hose, Hydraulic
13.	011141SP	2	Clamp, Hose #16
14.	000261SP	A/R	Hose
15.	026029SP	2	Clip, Cable 5/8" x 1/4" Bolt PVC
16.	046008SP	1	Hydraulic Oil Cooler (S/N LC001351 onward)
17.	963335SP	1	Hose, Hydraulic 5/8" x 79.5" (S/N LC001351 onward)
18.	963336SP	1	Hose, Hydraulic 5/8" x 76.5" (S/N LC001352 onward)
*	039589SP	2	Bolt, Stove
*	025993SP	2	Washer, Flat
*	027013SP	2	Washer, Lock



ITEM	PART No.	QTY.	DESCRIPTION
1.	042796SP	1	Muffler Assy
2.	021554SP	4	Bolt, Hex
3.	021029SP	4	Washer, Lock
4.	019765SP	1	Gasket, Exhaust



ITEM	PART No.	QTY.	DESCRIPTION
1.	961930SP	1	Mount, RH Engine Assy.
2.	961929SP	1	Mount, LH Engine Assy.
3.	038558SP	3	Isolator, Engine
4.	042697SP	1	Plate, Rear Isolator Mount
5.	001190SP	6	Bolt
6.	001650SP	6	Washer, Flat
7.	021028SP	16	Washer, Lock
8.	024614SP	6	Nut, Nylok
9.	001193SP	4	Bolt
10.	001643SP	4	Washer, Flat
11.	001642SP	4	Washer, Lock
12.	026859SP	3	Bolt
13.	021558SP	3	Washer, Lock
14.	024790SP	16	Bolt



ITEM	PART No.	QTY.	DESCRIPTION
1.	043350SP	1	Filter, Engine Oil V1305
2.	042561SP	1	Filter, Fuel
3.	042560SP	1	Assy, Fuel Filter
4.	042707SP	1	Kit, Adapter
5.	048394SP	1	Engine, Assy V1305 (up to S/N LC001747)
	049277SP	1	Engine, V1305-E2B Tier 2 (S/N LC001748 onward)
6.	037206SP	1	Switch, Temperature Sender
7.	042574SP	1	Elbow, 90°
8.	043139SP	1	Elbow, 90°
9.	019949SP	1	Clamp, Fuel Line
10.	000261SP	38"	Hose, Fuel
11.	040333SP	1	Bushing, Brass Machined
12.	043138SP	1	Connector
13.	043373SP	1	Harness, Wire Engine
14.	962228SP	1	Switch, Temperature Assy (up to S/N LC001170)
	044187SP	1	Switch, Temperature (S/N LC001171 onward)
15.	001650SP	4	Washer, Flat
16.	002663SP	2	Bolt, Hex
17.	006645SP	2	Nut, Nylok
18.	043345SP	1	Belt, Fan V1305
19.	962046SP	1	Cover, Belt Assy (up to S/N LC001170)
	962778SP	1	Cover, Belt Assy (S/N LC001171 onward)
*	043351SP	1	Starter, Assy V1305
*	037104SP	1	External Boosting Lug

* Items not shown.

8. OPTIONAL EQUIPMENT

The following kits are **OPTIONAL** and can be added as extra equipment.

Some of the options listed below are standard on certain machines.

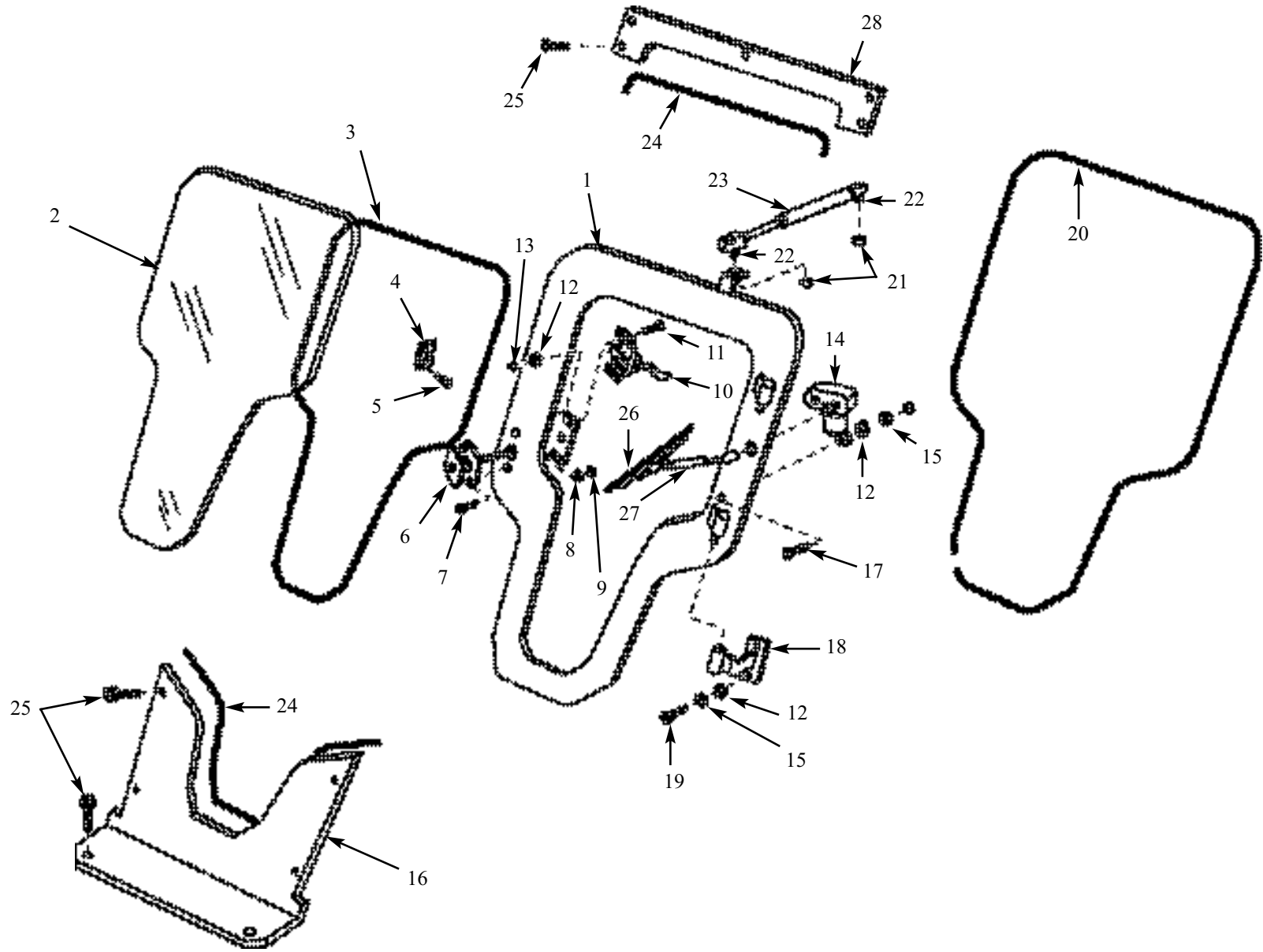
Cab Liner	8.1
Cab Enclosure (<i>Only available as a factory installed option</i>)	8.2
Cab Heater	8.3
Side Windows	8.4
Cab Door	8.5
Block Heater	8.6
Horn	8.7
Backup Alarm	8.8
Seat Belts	8.9
Self Level Valve (<i>See sections 4.3C and 4.5C for more information</i>)	8.10
Hand Controls	8.11
Wheel Equipment	8.12
Purifier Kit	8.13
Hydraulic Oil Heater	8.14
Interior Light and Exterior Trouble	8.15
Precleaner	8.16
Lifting Lug (ROPS)	8.17
Light Kit (<i>Only available as an option on CE loaders</i>)	8.18
Driving Lamp Kit (<i>Mandatory to install this option with the Light Kit option</i>)	8.19
Stop Switch	8.20
External Rear View Mirror	8.21
Internal Rear View Mirror	8.22
Flat Face Coupling Kit	8.23
Adaptor Kit (Flat Face to Poppet)	8.24

PART No.	QTY.	DESCRIPTION
964351SP	1	Kit, Cab Liner 105
043017SP	1	Insulation, ROPS Rear Bottom
046644SP	1	Insulation, ROPS Rear Window
044787SP	1	Insulation, Access Shield
046645SP	1	Insulation, ROPS Headliner
043013SP	1	Insulation, ROPS Rear

PART No.	QTY.	DESCRIPTION
963388SP	1	Kit, Cab Enclosure
963391SP	1	Kit, Cab Heater
963394SP	1	Kit, Cab Door
963397SP	1	Kit, Side Windows

PART No.	QTY.	DESCRIPTION
963391SP	1	Kit, Cab Heater
000073SP	11.125 ft.	Hose, 5/8" 2 or 3 Standard Wall
001190SP	2	Bolt, Hex 5/16 x 1"
001676SP	3	Bolt, Hex 5/16 x 2 1/4"
016019SP	6	Clamp, Hose #10
016771SP	5	Nut, Nylok, Hex 5/16"
021907SP	2	Screw, Self Tapping
031156SP	2	Coupling
031166SP	1	Valve, Heater
031167SP	1	Cable, Heater Valve Control
039123SP	1	Switch, Toggle
039900SP	1	Terminal, Ring
041018SP	3	Terminal, Slide
041023SP	10 ft.	Wire, #18 Gauge Red
042076SP	3	Plate, Cover Twin
043033SP	3	Clamp, Twin 1" Tube
043546SP	1	Heater, Cab
043547SP	1	Nipple
043548SP	1	Tee, Branch
043550SP	1	Sheetm Heater Mount
043551SP	1	Sheet, Hose Guard
962279SP	1	Harness, Fan Switch Extension
046669SP	1	Terminal, Connector

PART No.	QTY.	DESCRIPTION
963397SP	1	Kit, Side Windows
042974SP	2	Lexan, Side Window
044236SP	20	Screw
044237SP	20	Nut
015931SP	20 ft.	Weatherstrip



ITEM	PART No.	QTY.	DESCRIPTION
	963394	1	Kit, Cab Door
1.	962255SP	1	Cab Door Assy.
2.	040522SP	1	Glass, Tempered
3.	015750SP	8 ft.	Weatherstrip, Glass Setting
4.	040771SP	1	Plate, Latch Block
5.	016526SP	2	Bolt, Flat Head
6.	953780SP	1	Handle, Cab Locking
7.	015885SP	2	Bolt, Stove
8.	002811SP	2	Washer, Lock 3/16"
9.	006467SP	2	Nut, Hex 3/16"
10.	032629SP	1	Latch, Cab Door LH
11.	005170SP	4	Bolt, Hex 1/4 x 1"
12.	001650SP	5	Washer, Flat 1/4"
13.	006645SP	4	Nut, Nylok 1/4"
14.	037275SP	1	Motor, Wiper Single Speed
15.	002279SP	1	Washer, Lock 1/4"
16.	043509SP	1	Sheet, Bottom Filler
17.	002663SP	1	Bolt, Hex 1/4 x 3/4"
18.	960941SP	2	Hinge Assy, Cab Door
19.	005170SP	4	Bolt, Hex 1/4 x 1"
20.	015756SP	11 ft.	Bulb Seal (per/foot)
21.	016771SP	2	Nut, Nylok, Hex 5/16"
22.	043005SP	2	Ball Stud
23.	043290SP	1	Spring, Gas 24lbs.
24.	000417SP	5.5 ft.	Edging, Vinyl Door
25.	021907SP	15	Screw, Self Tapping
26.	015937SP	1	Blade, Wiper
27.	015936SP	1	Arm, Wiper (Straight Blade Type)
28.	962254SP	1	Top Filler Assy.
*	961193SP	1	Wire Assy, Wiper Short
*	961194SP	1	Wire Assy, Wiper Long
*	017940SP	1	Grommet (for wiper wire)
*	040887SP	2	Insulation, Hole Filler

BLOCK HEATER

8.6

PART No.	QTY.	DESCRIPTION
963402SP	1	Kit, Block Heater
029790SP	1	Heater, Block, Kubota

PART No.	QTY.	DESCRIPTION
963874SP	1	Kit, Horn
040918SP	1	Alarm, Fast Sounding
044182SP	1	Handle, Ergonomic w/Rocker & 2 Push Button Switches
044513SP	1	Bolt, Ergonomic Handle
006081SP	2	Bolt, Hex 5/16 x 3/4"
001651SP	2	Washer, Flat, 5/16"
001870SP	2	Washer, Lock 5/16"
001191SP	2	Nut, Hex 5/16"
039880SP	0.5 ft.	Wire, #18 Gauge Lt. Green Type SXL
039206SP	4 ft.	Wire, #18 Gauge White/Brown Type SXL
039899SP	2	Terminal, Ring #10 Stud 22-18 Gauge Wire
039901SP	1	Terminal, Ring 5/16" Stud 22-18
039127SP	1	Terminal, Pin .156 Male
039110SP	1	Tower, Two-Way Weatherpack
039109SP	2	Sleeve, Cable 18-20 AWG Weatherpack
039009SP	2	Seal, Cable 14-18 AWG Weatherpack
008615SP	1 ft.	Tube, Heat Shrink .187
003273SP	8	Tie, Cable 11 1/2 x 3/16"
000765SP	0.5 ft.	Loom, Corrugated 0.25 ID Black
039122SP	1	Fuse, Automotive 10 Amp (5 per pack)

PART No.	QTY.	DESCRIPTION
963405SP	1	Kit, Backup Alarm
038752SP	2	Switch, Backup Alarm
042187SP	1	Alarm, Back-up
043327SP	1	Harness, Backup Alarm
001191SP	6	Nut, Hex 5/16"
001651SP	6	Washer, Flat 5/16"
001190SP	2	Bolt, Hex 5/16 x 1"
001870SP	6	Washer, Lock 5/16"
039122SP	1	Fuse, Automotive 10 Amp (5 per pack)
043330SP	2	Sheet, Backup Alarm Spacer
004398SP	2	Bolt, Hex 7/16 x 6
006393SP	4	Nut, Hex 7/16"
003237SP	2	Bolt, Hex 1/4 x 2 1/2"
044323SP	2	Nut, Jam 1/4"
043328SP	2	Sheet, Backup Alarm Mount
043337SP	2	Sheet, Backup Alarm Mount
001622SP	4	Bolt, Stove 3/16 x 1"
006468SP	4	Washer, Flat 3/16"
002811SP	4	Washer, Lock 3/16"
006467SP	4	Nut, Hex 3/16"
027013SP	4	Washer, Lock 1/8"

PART No.	QTY.	DESCRIPTION
964330SP	1	Kit, 2" Seat Belt, Retractable
048275SP	1	Belt, Safety 2" Retractable w/ Safety Wiring
963406SP	1	Kit, 3" Seat Belt
048276SP	1	Belt, Safety 3" Retractable w/ Safety Wiring

SELF LEVEL VALVE

8.10

PART No.	QTY.	DESCRIPTION
963413SP	1	Kit, Self Level Valve
043487SP	1	Valve, Self Level Assy.
020194SP	3	Elbow, 90°
020182SP	1	Connector
026641SP	2	Tee, Run
963268SP	3	Hose, Hydraulic 3/8 x 12"
017441SP	3	Washer, Lock 5/16"
017439SP	3	Washer, Flat 3/8"
024625SP	1	Bolt, Hex 5/16 x 1 1/4"
001677SP	1	Bolt, Hex 5/16 x 2"
026105SP	1	Bolt, Hex 5/16 x 2 3/4"
046090SP	1	Plate, Self Level Mount

See Sections 4.3C and 4.5C for more information.

PART No.	QTY.	DESCRIPTION
963876SP	1	Kit, Hand Controls
001630SP	2	Pin, Cotter 1/16 x 3/4"
005896SP	2	Pin, Split Spring 1/4 x 1 1/4"
017421SP	2	Bolt, Hex 1/4 x 1"
017427SP	2	Bolt, Hex 3/8 x 1"
017432SP	2	Nut, Nylok 1/4"
017442SP	2	Washer, Lock 3/8"
035763SP	2	Bar, Control Lever Shaft
035883SP	2	Rod End Assy .250 UNF
962866SP	1	Control Lever Assy, LH
962867SP	1	Control Lever Assy, RH
962184SP	1	Swivel Block Assembly RH
962185SP	1	Swivel Block Assembly LH
962198SP	1	Step Assy Hand Control Solenoid Auxiliary

WHEEL EQUIPMENT

8.12

PART No.	QTY.	DESCRIPTION
964170SP	1	Kit, Tire 8.50 x 15, 2000 Series (Factory)
046440SP	2	Wheel & Tire Assy RH, 8.50 x 15, 6 Bolt 2000 Series
046441SP	2	Wheel & Tire Assy, LH, 8.50 x 15, 6 Bolt 2000 Series
963621SP	1	Kit, Tire 8.50 x 15, 2000 Series (Field)
046440SP	2	Wheel & Tire Assy RH, 8.50 x 15, 6 Bolt 2000 Series
046441SP	2	Wheel & Tire Assy, LH, 8.50 x 15, 6 Bolt 2000 Series
005832SP	24	Nut, Wheel 9/16
963432SP	1	Kit, Tire 27 x 4.5 x 4, Solid (Factory)
046066SP	4	Wheel & Tire Assy, 27 x 4 x 4.5 Solid 6 Bolt
963557SP	1	Kit, Tire 27 x 4.5 x 4, Solid (Field)
046066SP	4	Wheel & Tire Assy, 27 x 4 x 4.5 Solid 6 Bolt
965001SP	1	Kit, Tire Foam Fill 8.50 x 15, 2000 (Factory)
049507SP	2	Tire Assy Foam Fill RH, 8.50 x 15.0 2000 6 Bolt
049508SP	2	Tire Assy Foam Fill LH, 8.50 x 15.0 2000 6 Bolt
965002SP	1	Kit, Tire Foam Fill 8.50 x 15, 2000 (Field)
049507SP	2	Tire Assy Foam Fill RH, 8.50 x 15.0 2000 6 Bolt
049508SP	2	Tire Assy Foam Fill LH, 8.50 x 15.0 2000 6 Bolt
965003SP	1	Kit, Tire Foam Fill 10.5 x 15 (Factory)
049509SP	2	Tire Assy Foam Fill RH, 10.50 x 15.0 6 Bolt
049510SP	2	Tire Assy Foam Fill LH, 10.50 x 15.0 6 Bolt
965004SP	1	Kit, Tire Foam Fill 10.5 x 15 (Field)
049509SP	2	Tire Assy Foam Fill RH, 10.50 x 15.0 6 Bolt
049510SP	2	Tire Assy Foam Fill LH, 10.50 x 15.0 6 Bolt
007019SP	-	Valve Stem
005832SP	-	Nut, Wheel
026188SP	-	Stud, Wheel

PART No.	QTY.	DESCRIPTION
963435SP	1	Kit, Purifier
019765SP	1	Gasket, Exhaust
043690SP	1	Muffler, Purifier Assy

HYDRAULIC OIL HEATER

8.14

PART No.	QTY.	DESCRIPTION
963439SP	1	Kit, Hydraulic Oil Heater
030549SP	1	Heater, Hydraulic Oil 3/4 NPT MX 11 1/8 Long, 300 Watts-12

PART No.	QTY.	DESCRIPTION
963466SP	1	Kit, Interior Light & Exterior Trouble
041317SP	1	Light, Dome / Emergency
039880SP	11 ft.	Wire, #18 Gauge Lt. Green Type SXL
041023SP	11 ft.	Wire, #18 Gauge Red Type SXL
017940SP	2	Grommet
000765SP	11 ft.	Loom, Corrugated .25 ID Black
039122SP	1	Fuse, Automotive 10 Amp (5 per pack)
041705SP	1	Connector, Male 2-Way Metri-pak
041706SP	2	Terminal, Female Metri-pack for 41705
039901SP	1	Terminal, Ring 5/16" Stud 22-18
041018SP	1	Terminal Slide .25 F #18-22GA Fully Insulated
037472SP	3	Screw, Self Tapping, 10-16 x 3/4"
048242SP	3	Screw, Self-Tapping, 10-16 x 1-1/4"

PRECLEANER

8.16

PART No.	QTY.	DESCRIPTION
963467SP	1	Kit, Precleaner
043695SP	1	Precleaner, 2" Inlet w/Gasket for 1.75"

PART No.	QTY.	DESCRIPTION
963633SP	1	Kit, Lug Lifting ROPS
046770SP	2	Plate, Lifting Lug
001660SP	4	Bolt, Hex 9/16 x 1 1/2"
001077SP	4	Nut, Hex 9/16"
002650SP	4	Washer, Flat 9/16"
001648SP	4	Washer, Lock 9/16"

PART No.	QTY.	DESCRIPTION	PART No.	QTY.	DESCRIPTION
963887SP	1	Kit, Lights	044182SP	1	Handle, Ergonomic w/Rocker & 2 Push Button Switches
047332SP	1	Light, Kit LH	044513SP	1	Bolt, Ergonomic Handle
047333SP	1	Light, Kit RH	001622SP	4	Bolt, Stove 3/16 x 1"
046668SP	1	Beacon, Rotating	006468SP	4	Washer, Flat 3/16"
000765SP	1 ft.	Loom, Corrugated .25 ID Black	002811SP	4	Washer, Lock 3/16"
046669SP	2	Terminal, Connector .250 Slide	006467SP	4	Nut, Hex 3/16"
046670SP	1	Light, License w/Harness	047419SP	1	Mirror, External CE
046689SP	2	Reflector, Red Reflex	027013SP	2	Washer, Lock 1/8"
046690SP	2	Reflector, Clear Reflex	047351SP	1	Sheet, Rear License
039123SP	3	Switch, Toggle SPST	048031SP	1	Plate, Mirror Bracket
038752SP	1	Switch, Backup Alarm	051986SP	2	Sheet, Cover
039122SP	1	Fuse, Automotive 10 Amp (5 per pack)			
043330SP	2	Sheet, Backup Alarm Spacer			
017204SP	1	Decal, Slow Moving Vehicle One Piece Type			
051399SP	2	Sheet, Light Mount			
019029SP	4	Bolt, Hex M8 x 1.25 x 25mm			
021029SP	4	Washer, Lock 8mm			
001643SP	4	Washer, Flat 3/8"			
046899SP	2	Sheet, Cover w/Thomas			
031744SP	4	Screw, Hex Head, Tapping			
963668SP	1	Bar, Switch Activating			
016771SP	1	Nut, Nylok, Hex 5/16"			
001651SP	4	Washer, Flat 5/16"			
001678SP	2	Bolt, Hex 5/16 x 1 1/2"			
001870SP	2	Washer, Lock 5/16"			
046835SP	1	Sheet, SMV			
021907SP	4	Screw, Self-Tapping			
043759SP	1	Tower, 4-Way Weatherpack			
039109SP	4	Sleeve, Cable 18-20 AWG Weatherpack			
039009SP	4	Seal, Cable 14-18 AWG Weatherpack			

PART No.	QTY.	DESCRIPTION
963915SP	1	Kit, Lamp Driving
965266SP	2	Driving Lamp Assy.

STOP SWITCH

8.20

PART No.	QTY.	DESCRIPTION
963879SP	1	Kit, Stop Switch
042951SP	1	Switch, Contact Body Assy.
044305SP	1	Button, Turn To Release Red
042975SP	1	Sheet, Stop Button Support
043145SP	1	Decal, Park Brake

PART No.	QTY.	DESCRIPTION
964171SP	1	Kit, Mirror External Rear View
001622SP	2	Bolt, Stove 3/16 x 1"
006468SP	2	Washer, Flat 3/16"
002811SP	2	Washer, Lock 3/16"
006467SP	2	Nut, Hex 3/16"
047419SP	1	Mirror, External CE
048031SP	1	Plate, Mirror Bracket
001651SP	2	Washer, Flat 5/16"
001678SP	2	Bolt, Hex 5/16 x 1 1/2"
001870SP	2	Washer, Lock 5/16"

INTERNAL REAR VIEW MIRROR

8.22

PART No.	QTY.	DESCRIPTION
964174SP	1	Kit, Mirror, Internal Rear View
024229SP	1	Mirror, Rear View
007473SP	1	Bolt, Flat Head 3/16"
006467SP	1	Nut, Hex 3/16"
002811SP	1	Washer, Lock 3/16"

PART No.	QTY.	DESCRIPTION
964335SP	1	Kit, Coupling Flat Face
048592SP	1	Couling, Quick Disconnect 8 Female 8 1/2 NPT Flush Face Body 1/2
048593SP	1	Coupling, Quick Disconnect 8 Male 8 1/2 NPT Flush Face Body 1/2
048594SP	1	Cap, Dust for 8 Female Flush Face Coupling
048595SP	1	Cap, Dust for 8 Male Flush Face Coupling

ADAPTOR KIT (Flat Face to Poppet)

8.24

PART No.	QTY.	DESCRIPTION
964336SP	1	Kit, Adaptor Flat Face to Poppet Coupling
043802SP	1	Adaptor, Quick Disconnect 12 3/4 Flat Face Female to 8 1/2 ISO Male
043803SP	1	Adaptor, Quick Disconnect 12 3/4 Flat Face Male to 8 1/2 ISO Female

NUMERICAL INDEX

NUMERICAL INDEX

NUMERICAL INDEX

PART NUMBER / SECTION	PART NUMBER / SECTION	PART NUMBER / SECTION	PART NUMBER / SECTION
000073SP8.3	001194SP2.4(B)	001650SP1.5	001677SP1.4
000261SP1.1	001248SP1.2	001650SP4.8(C)	001677SP4.3(C)
000261SP7.2	001350SP1.6	001650SP7.1	001677SP4.5(C)
000261SP7.5	001387SP1.7	001650SP7.2	001677SP8.10
000392SP1.6	001387SP2.1(A)	001650SP7.4	001678SP8.18
000407SP1.1	001387SP2.1(B)	001650SP7.5	001678SP8.21
000415SP4.3(B)	001387SP2.2(A)	001650SP8.5	001680SP1.3
000415SP4.3(C)	001387SP2.2(B)	001651SP1.2	001803SP4.7(A)
000415SP4.5(B)	001618SP1.5	001651SP1.7	001803SP4.7(B)
000415SP4.5(C)	001620SP7.2	001651SP2.3	001870SP1.7
000415SP4.7(B)	001622SP8.8	001651SP3.1	001870SP1.8
000417SP8.5	001622SP8.18	001651SP4.1	001870SP2.3
000698SP4.1	001622SP8.21	001651SP4.3(C)	001870SP2.5
000765SP8.7	001630SP2.2(A)	001651SP4.5(B)	001870SP3.1
000765SP8.15	001630SP2.3	001651SP4.8(C)	001870SP4.1
000765SP8.18	001630SP8.11	001651SP7.2	001870SP4.3(C)
000814SP7.2	001634SP3.2	001651SP8.7	001870SP4.8(C)
001077SP8.17	001642SP1.7	001651SP8.8	001870SP8.7
001190SP2.3	001642SP2.1(A)	001651SP8.18	001870SP8.8
001190SP7.2	001642SP2.1(B)	001651SP8.21	001870SP8.18
001190SP7.4	001642SP2.2(A)	001660SP8.17	001870SP8.21
001190SP8.3	001642SP2.2(B)	001668SP2.1(A)	001893SP2.2(A)
001190SP8.8	001642SP3.2	001668SP2.1(B)	001898SP2.1(A)
001191SP1.7	001642SP4.2	001668SP2.2(A)	001898SP2.1(B)
001191SP1.8	001642SP7.4	001668SP2.2(B)	001898SP2.2(B)
001191SP2.3	001643SP1.2	001671SP2.4(A)	002010SP1.3
001191SP3.1	001643SP1.7	001671SP2.4(B)	002010SP4.4
001191SP4.1	001643SP1.8	001672SP1.7	002010SP4.6
001191SP4.3(C)	001643SP2.1(A)	001672SP2.1(A)	002011SP1.3
001191SP4.5(C)	001643SP2.1(B)	001672SP2.1(B)	002279SP1.7
001191SP8.7	001643SP2.2(A)	001672SP2.2(A)	002279SP2.2(A)
001191SP8.8	001643SP2.2(B)	001672SP2.2(B)	002279SP2.2(B)
001193SP1.8	001643SP2.4(A)	001673SP2.1(A)	002279SP8.5
001193SP3.2	001643SP2.4(B)	001673SP2.1(B)	002593SP2.5
001193SP4.2	001643SP4.2	001673SP2.2(A)	002650SP8.17
001193SP7.4	001643SP7.4	001673SP2.2(B)	002663SP1.5
001194SP2.2(A)	001643SP8.18	001676SP1.4	002663SP7.5
001194SP2.2(B)	001648SP8.17	001676SP8.3	002663SP8.5
001194SP2.4(A)	001650SP1.2	001677SP1.3	002811SP2.5

PART NUMBER / SECTION	PART NUMBER / SECTION	PART NUMBER / SECTION	PART NUMBER / SECTION
002811SP8.5	006393SP2.2(A)	007465SP2.2(A)	016561SP1.2
002811SP8.8	006393SP2.2(B)	007465SP2.2(B)	016771SP1.2
002811SP8.18	006393SP8.8	007473SP8.22	016771SP1.3
002811SP8.21	006394SP2.1(A)	007667SP4.7(A)	016771SP1.4
002811SP8.22	006394SP2.1(B)	007667SP4.7(B)	016771SP4.5(B)
003237SP8.8	006394SP2.2(A)	007723SP1.7	016771SP4.5(C)
003273SP8.7	006394SP2.2(B)	008613SP1.2	016771SP4.7(B)
003313SP2.1(A)	006467SP8.5	008613SP1.5	016771SP4.8(C)
003313SP2.1(B)	006467SP8.8	008613SP2.5	016771SP7.1
003313SP2.2(A)	006467SP8.18	008615SP8.7	016771SP7.2
003313SP2.2(B)	006467SP8.21	011141SP7.2	016771SP8.3
003321SP1.3	006467SP8.22	014313SP1.2	016771SP8.5
003665SP3.2	006468SP8.8	014797SP1.1	016771SP8.18
003667SP3.2	006468SP8.18	014866SP5.1	017204SP8.18
004398SP8.8	006468SP8.21	014868SP4.3(B)	017421SP2.2(A)
005170SP8.5	006608SP4.7(A)	014868SP4.3(C)	017421SP2.2(B)
005405SP2.4(B)	006608SP4.7(B)	014868SP4.5(B)	017421SP8.11
005406SP2.1(A)	006645SP1.2	014868SP4.5(C)	017427SP8.11
005406SP2.1(B)	006645SP1.5	014868SP4.7(B)	017432SP2.2(A)
005406SP2.2(A)	006645SP2.1(A)	014868SP5.1	017432SP2.2(B)
005406SP2.2(B)	006645SP2.1(B)	014877SP3.2	017432SP8.11
005803SP2.1(A)	006645SP2.2(A)	014898SP4.1	017439SP4.5(C)
005803SP2.1(B)	006645SP2.2(B)	015628SP4.7(A)	017439SP8.10
005803SP2.2(A)	006645SP4.8(C)	015628SP4.7(B)	017441SP4.5(C)
005803SP2.2(B)	006645SP7.2	015646SP1.5	017441SP8.10
005832SP1.11	006645SP7.5	015750SP1.5	017442SP8.11
005832SP3.2	006645SP8.5	015750SP8.5	017940SP8.5
005832SP8.12	007019SP1.11	015756SP8.5	017940SP8.15
005896SP2.2(A)	007019SP8.12	015880SP2.1(A)	018318SP1.1
005896SP2.2(B)	007078SP4.5(B)	015880SP2.1(B)	018455SP1.5
005896SP8.11	007078SP4.5(C)	015885SP2.5	018683SP6.2
005968SP3.2	007124SP4.7(A)	015885SP8.5	018724SP6.1
006081SP1.7	007124SP4.7(B)	015931SP1.5	019029SP8.18
006081SP7.1	007416SP2.4(A)	015931SP8.4	019181SP2.3
006081SP8.7	007416SP2.4(B)	015936SP8.5	019232SP5.1
006268SP7.1	007465SP1.2	015937SP8.5	019233SP5.1
006270SP7.1	007465SP1.8	016019SP8.3	019238SP4.3(A)
006393SP2.1(A)	007465SP2.1(A)	016238SP4.5(A)	019238SP4.7(A)
006393SP2.1(B)	007465SP2.1(B)	016526SP8.5	019240SP5.1

NUMERICAL INDEX

PART NUMBER / SECTION	PART NUMBER / SECTION	PART NUMBER / SECTION	PART NUMBER / SECTION
019605SP1.6	021927SP6.1	026029SP7.2	034903SP4.1
019605SP6.2	022381SP4.1	026105SP4.3(C)	034919SP4.1
019765SP7.3	022448SP3.2	026105SP4.5(C)	035243SP4.2
019765SP8.13	022462SP3.1	026105SP8.10	035763SP2.2(A)
019949SP1.1	022653SP1.3	026188SP3.2	035763SP2.2(B)
019949SP7.5	022812SP6.1	026188SP8.12	035763SP8.11
020182SP4.3(C)	023194SP1.1	026641SP4.3(A)	035855SP2.3
020182SP4.5(C)	023238SP1.2	026641SP4.3(B)	035883SP2.2(A)
020182SP8.10	023301SP1.10	026641SP4.3(C)	035883SP2.2(B)
020194SP4.3(C)	023307SP1.10	026641SP4.5(C)	035883SP2.4(B)
020194SP4.5(C)	023308SP1.10	026641SP8.10	035883SP8.11
020194SP8.10	023309SP1.10	026737SP1.1	035884SP2.3
020200SP3.2	023310SP1.10	026834SP5.1	035885SP1.10
020235SP1.5	023312SP1.10	026859SP7.4	035886SP1.10
020860SP1.3	023321SP1.10	027013SP7.2	035935SP1.10
020861SP1.3	023324SP1.10	027013SP8.8	036430SP5.1
021028SP2.4(A)	023325SP1.10	027013SP8.18	036487SP2.2(A)
021028SP7.1	023326SP1.10	028982SP2.4(A)	036598SP1.10
021028SP7.4	023371SP2.4(A)	028982SP2.4(B)	036713SP5.1
021029SP7.3	023371SP2.4(B)	029790SP8.6	036733SP4.1
021029SP8.18	023385SP1.3	029971SP1.5	036841SP1.10
021118SP5.1	023385SP1.5	029971SP6.1	036848SP4.2
021174SP2.1(A)	023530SP4.4	029994SP4.4	037010SP1.10
021174SP2.1(B)	023530SP4.6	029995SP4.4	037059SP1.10
021174SP2.2(A)	023861SP1.1	029995SP4.6	037060SP1.10
021174SP2.2(B)	024129SP1.5	030044SP2.2(A)	037104SP7.5
021324SP4.1	024229SP8.22	030044SP2.3	037104SP6.1
021553SP4.3(A)	024264SP1.1	030323SP4.7(A)	037206SP4.1
021553SP4.3(B)	024614SP7.4	030323SP4.7(B)	037206SP7.5
021553SP4.3(C)	024625SP4.3(C)	030501SP2.1(A)	037206SP6.1
021554SP2.4(A)	024625SP4.5(C)	030501SP2.1(B)	037275SP8.5
021554SP7.3	024625SP8.10	030549SP8.14	037472SP8.15
021558SP7.4	024790SP2.4(A)	031156SP8.3	038043SP1.10
021907SP1.7	024790SP7.4	031166SP8.3	038184SP1.5
021907SP2.1(A)	025011SP4.2	031167SP8.3	038302SP4.5(B)
021907SP2.1(B)	025175SP1.6	031291SP1.10	038302SP4.5(C)
021907SP8.3	025175SP6.2	031744SP8.18	038302SP4.7(B)
021907SP8.5	025460SP1.10	032275SP1.10	038345SP3.2
021907SP8.18	025993SP7.2	032629SP8.5	038346SP3.2

PART NUMBER / SECTION	PART NUMBER / SECTION	PART NUMBER / SECTION	PART NUMBER / SECTION
038358SP.....4.3(A)	039042SP.....4.3(A)	039873SP.....6.1	041018SP.....8.15
038358SP.....4.3(B)	039042SP.....4.3(B)	039880SP.....8.7	041023SP.....8.3
038358SP.....4.3(C)	039042SP.....4.3(C)	039880SP.....8.15	041023SP.....8.15
038358SP.....4.4	039042SP.....4.5(A)	039899SP.....8.7	041045SP.....1.10
038381SP.....4.8(A)	039042SP.....4.5(B)	039900SP.....8.3	041064SP.....1.10
038382SP.....4.8(A)	039042SP.....4.5(C)	039901SP.....8.7	041065SP.....1.10
038420SP.....7.1	039109SP.....8.7	039901SP.....8.15	041066SP.....1.10
038472SP.....4.5(B)	039109SP.....8.18	039904SP.....1.8	041082SP.....2.4(A)
038472SP.....4.5(C)	039110SP.....8.7	039972SP.....6.2	041123SP.....1.10
038472SP.....4.7(B)	039121SP.....6.1	040127SP.....4.8(A)	041178SP.....3.1
038516SP.....1.8	039122SP.....6.1	040128SP.....4.8(A)	041189SP.....2.3
038516SP.....6.1	039122SP.....8.7	040129SP.....4.8(A)	041317SP.....8.15
038517SP.....2.4(A)	039122SP.....8.8	040130SP.....4.8(A)	041392SP.....1.3
038517SP.....2.4(B)	039122SP.....8.15	040131SP.....4.8(A)	041392SP.....1.3
038558SP.....7.4	039122SP.....8.18	040132SP.....4.8(A)	041427SP.....1.6
038560SP.....1.5	039123SP.....1.6	040133SP.....4.8(A)	041427SP.....6.2
038577SP.....1.6	039123SP.....6.2	040134SP.....4.8(A)	041607SP.....6.2
038577SP.....6.2	039123SP.....8.3	040135SP.....4.8(A)	041705SP.....8.15
038600SP.....1.8	039123SP.....8.18	040138SP.....4.8(A)	041706SP.....8.15
038614SP.....4.8(A)	039124SP.....6.2	040139SP.....4.8(A)	041738SP.....1.10
038615SP.....4.8(A)	039126SP.....1.6	040140SP.....4.8(A)	041778SP.....1.10
038617SP.....4.8(A)	039126SP.....6.2	040144SP.....4.8(A)	042070SP.....1.7
038618SP.....4.8(A)	039127SP.....8.7	040155SP.....4.8(A)	042070SP.....1.8
038620SP.....4.8(A)	039185SP.....6.1	040157SP.....4.8(A)	042070SP.....6.1
038652SP.....4.1	039191SP.....1.10	040187SP.....1.6	042076SP.....8.3
038654SP.....4.1	039192SP.....1.10	040333SP.....4.1	042107SP.....1.10
038745SP.....4.4	039196SP.....1.10	040333SP.....7.5	042108SP.....1.10
038746SP.....4.4	039206SP.....8.7	040522SP.....8.5	042187SP.....8.8
038749SP.....5.1	039536SP.....4.3(A)	040581SP.....1.8	042207SP.....2.1(A)
038752SP.....8.8	039536SP.....4.5(A)	040614SP.....1.3	042207SP.....2.1(B)
038752SP.....8.18	039536SP.....4.7(A)	040737SP.....1.5	042207SP.....2.2(A)
038761SP.....1.6	039540SP.....6.1	040771SP.....8.5	042207SP.....2.2(B)
038761SP.....6.2	039546SP.....1.6	040887SP.....8.5	042243SP.....2.2(A)
038870SP.....6.1	039546SP.....6.2	040918SP.....8.7	042243SP.....2.2(B)
039009SP.....8.7	039589SP.....7.2	040918SP.....6.2	042243SP.....2.3
039009SP.....8.18	039837SP.....2.2(A)	040921SP.....1.1	042293SP.....4.2
039021SP.....1.5	039837SP.....2.2(B)	040922SP.....1.1	042350SP.....1.3
039041SP.....4.7(A)	039840SP.....6.1	040970SP.....1.10	042421SP.....7.1
039041SP.....4.7(B)	039865SP.....6.2	041018SP.....8.3	042433SP.....6.2

NUMERICAL INDEX

PART NUMBER / SECTION	PART NUMBER / SECTION	PART NUMBER / SECTION	PART NUMBER / SECTION
042434SP6.2	042881SP4.6	043025SP4.7(B)	043159SP2.1(B)
042435SP6.2	042883SP1.11	043026SP4.7(A)	043162SP1.7
042442SP6.2	042886SP1.11	043026SP4.7(B)	043163SP4.2
042546SP3.2	042887SP1.11	043027SP4.5(A)	043164SP5.2
042556SP4.2	042889SP1.11	043027SP4.5(B)	043166SP5.2
042557SP4.2	042920SP1.6	043027SP4.5(C)	043167SP5.2
042560SP1.1	042920SP6.2	043028SP4.5(A)	043168SP5.2
042560SP7.5	042927SP7.1	043028SP4.5(B)	043235SP1.2
042561SP1.1	042929SP1.1	043028SP4.5(C)	043236SP1.2
042561SP7.5	042929SP6.1	043033SP8.3	043260SP1.2
042572SP1.1	042931SP1.8	043036SP1.9	043267SP1.2
042574SP1.1	042941SP2.3	043037SP1.9	043274SP1.2
042574SP7.5	042948SP1.6	043038SP1.9	043280SP1.4
042623SP5.1	042948SP6.2	043039SP1.9	043290SP1.2
042623SP5.3	042950SP2.5	043040SP1.9	043290SP8.5
042643SP1.7	042950SP6.1	043041SP1.9	043312SP1.6
042661SP1.2	042951SP8.20	043042SP1.9	043327SP8.8
042666SP7.2	042951SP6.1	043043SP1.9	043328SP8.8
042697SP7.4	042956SP1.6	043044SP1.9	043329SP1.2
042703SP3.2	042974SP8.4	043045SP1.9	043330SP8.8
042704SP3.2	042975SP8.20	043046SP1.9	043330SP8.18
042705SP3.2	042992SP2.5	043081SP6.1	043333SP7.1
042706SP5.1	043003SP7.1	043085SP1.2	043337SP8.8
042706SP5.2	043004SP2.5	043086SP1.2	043338SP5.3
042707SP7.5	043005SP1.2	043087SP1.2	043339SP5.3
042724SP1.7	043005SP2.5	043088SP1.2	043340SP5.3
042734SP7.2	043005SP8.5	043125SP2.1(B)	043345SP7.5
042736SP5.1	043013SP1.9	043125SP2.2(B)	043349SP1.1
042736SP5.4	043013SP8.1	043126SP2.1(A)	043350SP7.5
042783SP1.4	043017SP1.9	043126SP2.2(A)	043351SP7.5
042784SP1.4	043017SP8.1	043136SP2.3	043351SP6.1
042796SP7.3	043022SP2.5	043137SP2.4(A)	043373SP7.5
042860SP1.3	043023SP4.5(A)	043138SP7.5	043373SP6.1
042860SP1.4	043023SP4.5(B)	043139SP7.5	043411SP7.1
042863SP1.3	043023SP4.5(C)	043145SP8.20	043412SP7.1
042864SP1.3	043024SP4.5(A)	043146SP5.1	043413SP7.1
042881SP4.5(A)	043024SP4.5(B)	043147SP5.1	043431SP3.2
042881SP4.5(B)	043024SP4.5(C)	043159SP1.7	043441SP4.6
042881SP4.5(C)	043025SP4.7(A)	043159SP2.1(A)	043442SP4.6

PART NUMBER / SECTION	PART NUMBER / SECTION	PART NUMBER / SECTION	PART NUMBER / SECTION
043443SP4.6	044181SP2.2(B)	046090SP8.10	048569SP5.1
043444SP4.4	044181SP6.1	046440SP8.12	048569SP5.4
043444SP4.6	044182SP2.1(B)	046441SP8.12	048570SP5.4
043487SP4.3(C)	044182SP2.2(B)	046457SP3.1	048571SP5.4
043487SP4.5(C)	044182SP8.7	046458SP4.1	048572SP5.4
043487SP8.10	044182SP8.18	046644SP1.9	048592SP4.7(B)
043489SP5.2	044182SP6.1	046644SP8.1	048592SP8.23
043490SP5.2	044187SP7.5	046645SP1.9	048593SP4.7(B)
043492SP5.2	044187SP6.1	046645SP8.1	048593SP8.23
043493SP5.2	044236SP8.4	046668SP8.18	048594SP4.7(B)
043494SP5.2	044237SP8.4	046669SP8.3	048594SP8.23
043509SP8.5	044243SP4.8(B)	046669SP8.18	048595SP4.7(B)
043528SP5.4	044257SP4.3(B)	046670SP8.18	048595SP8.23
043529SP5.4	044257SP4.3(C)	046671SP1.6	049030SP4.7(B)
043530SP5.4	044257SP4.5(B)	046671SP6.2	049068SP1.6
043546SP8.3	044257SP4.5(C)	046689SP8.18	049068SP6.2
043547SP8.3	044257SP4.7(B)	046690SP8.18	049083SP4.8(C)
043548SP8.3	044257SP4.8(C)	046770SP8.17	049190SP1.10
043550SP8.3	044305SP8.20	046835SP8.18	049191SP1.10
043551SP8.3	044323SP8.8	046899SP8.18	049192SP1.10
043558SP3.1	044357SP3.1	047265SP1.10	049193SP1.10
043690SP8.13	044358SP3.1	047332SP8.18	049194SP1.10
043695SP8.16	044513SP8.7	047333SP8.18	049195SP1.10
043759SP8.18	044513SP8.18	047351SP8.18	049196SP1.10
043775SP1.10	044519SP4.8(C)	047419SP8.18	049273SP1.10
043802SP8.24	044615SP1.10	047419SP8.21	049277SP7.5
043803SP8.24	044616SP1.10	047468SP1.5	049281SP1.3
043808SP2.1(A)	044787SP1.9	047468SP6.2	049477SP7.1
043808SP2.1(B)	044787SP8.1	047470SP1.5	049478SP7.1
043808SP2.2(A)	044801SP3.2	047856SP1.10	049490SP3.1
043808SP2.2(B)	044802SP3.2	048031SP8.18	049507SP8.12
043872SP1.7	044811SP2.4(B)	048031SP8.21	049508SP8.12
043902SP4.3(B)	044926SP5.2	048150SP3.2	049509SP8.12
043902SP4.3(C)	044995SP1.4	048156SP3.2	049510SP8.12
043902SP4.5(B)	045461SP4.8(C)	048242SP8.15	049611SP3.2
043902SP4.5(C)	046008SP7.2	048275SP8.9	049618SP6.1
043902SP4.7(B)	046066SP8.12	048276SP8.9	049669SP1.1
044181SP2.1(A)	046090SP4.3(C)	048394SP7.5	049717SP3.1
044181SP2.2(A)	046090SP4.5(C)	048397SP6.1	049790SP1.10

NUMERICAL INDEX

PART NUMBER / SECTION	PART NUMBER / SECTION	PART NUMBER / SECTION	PART NUMBER / SECTION
049791SP1.10	961961SP1.4	962075SP.....4.3(A)	962228SP6.1
051399SP8.18	961971SP1.3	962076SP.....4.3(A)	962254SP8.5
051797SP2.3	961973SP1.3	962076SP.....4.3(B)	962255SP8.5
051847SP3.2	961974SP1.3	962076SP.....4.3(C)	962279SP8.3
051986SP8.18	961983SP1.2	962077SP.....4.3(A)	962476SP1.7
052073SP4.8(C)	961984SP1.2	962077SP.....4.3(B)	962697SP4.8(C)
052074SP4.8(C)	961984SP7.2	962077SP.....4.3(C)	962705SP4.7(A)
052075SP4.8(C)	961999SP2.5	962078SP4.3(A)	962705SP4.7(B)
052076SP4.8(C)	962022SP1.11	962078SP4.3(B)	962706SP4.3(B)
052077SP4.8(C)	962044SP2.3	962078SP4.3(C)	962706SP4.3(C)
052078SP4.8(C)	962044SP3.1	962078SP4.5(A)	962707SP4.3(B)
052079SP4.8(C)	962045SP7.1	962078SP4.5(B)	962707SP4.3(C)
052080SP4.8(C)	962046SP7.5	962078SP4.5(C)	962708SP4.5(B)
052083SP4.8(C)	962047SP2.1(A)	962079SP4.5(A)	962708SP4.5(C)
052123SP6.1	962047SP2.1(B)	962079SP4.5(B)	962709SP5.1
953780SP8.5	962047SP2.2(A)	962079SP4.5(C)	962778SP7.5
959073SP2.1(A)	962047SP2.2(B)	962079SP4.7(A)	962866SP2.2(B)
959073SP2.1(B)	962048SP2.1(B)	962079SP4.7(B)	962866SP8.11
959073SP2.2(A)	962049SP2.1(A)	962080SP4.5(A)	962867SP2.2(A)
959073SP2.2(B)	962060SP4.1	962081SP4.5(A)	962867SP8.11
960571SP2.4(A)	962060SP5.1	962082SP4.5(A)	962868SP2.1(B)
960571SP2.4(B)	962061SP5.1	962082SP4.5(B)	962869SP2.1(A)
960805SP2.3	962062SP4.2	962082SP4.5(C)	963140SP1.4
960806SP2.3	962063SP4.2	962086SP1.7	963141SP1.4
960807SP2.3	962063SP5.1	962087SP1.7	963148SP1.7
960941SP8.5	962064SP4.2	962094SP4.5(A)	963268SP4.3(C)
961193SP8.5	962064SP5.1	962094SP4.5(B)	963268SP4.5(C)
961194SP8.5	962065SP4.1	962094SP4.5(C)	963268SP8.10
961293SP2.2(B)	962065SP5.1	962094SP4.7(A)	963335SP4.2
961294SP2.2(A)	962066SP5.1	962094SP4.7(B)	963335SP7.2
961372SP1.8	962067SP5.1	962095SP5.1	963336SP7.2
961693SP6.1	962068SP5.1	962147SP1.4	963387SP8.18
961855SP3.2	962069SP5.1	962184SP2.2(A)	963388SP8.2
961905SP1.7	962070SP5.1	962184SP2.2(B)	963391SP8.2
961905SP1.8	962071SP5.1	962184SP8.11	963391SP8.3
961906SP1.7	962072SP5.1	962185SP2.2(B)	963394SP8.2
961907SP1.7	962073SP5.1	962185SP8.11	963394SP8.5
961929SP7.4	962074SP4.1	962198SP8.11	963397SP8.2
961930SP7.4	962074SP5.1	962228SP7.5	963397SP8.4

PART NUMBER / SECTION

963402SP8.6
963405SP8.8
963406SP8.9
963413SP8.10
963432SP8.12
963435SP8.13
963439SP8.14
963466SP8.15
963467SP8.16
963557SP8.12
963621SP8.12
963631SP1.5
963633SP8.17
963668SP8.18
963874SP8.7
963876SP8.11
963879SP8.20
963899SP1.2
963915SP8.19
964170SP8.12
964171SP8.21
964174SP8.22
964330SP8.9
964335SP8.23
964336SP8.24
964351SP8.1
964503SP4.8(A)
964612SP1.6
964612SP6.2
965001SP8.12
965002SP8.12
965003SP8.12
965004SP8.12
965238SP4.8(C)
965266SP8.19